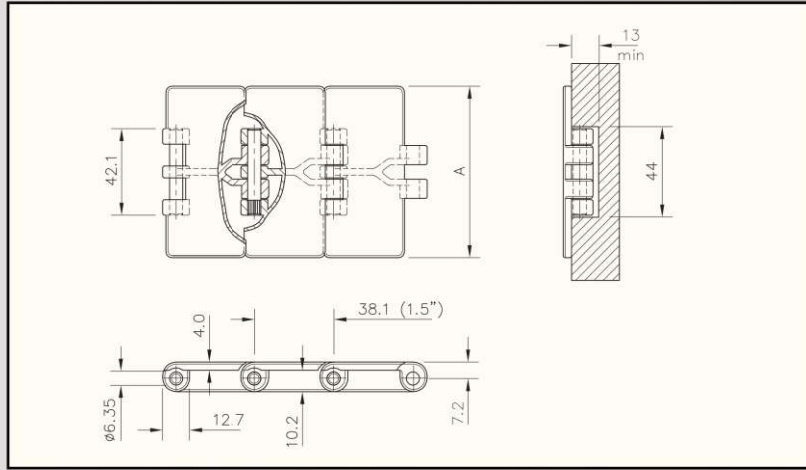


# PLASTIC TABLETOP CHAINS



 page 58, 59, 67, 68

**MATERIAL**  
page 207

Chain type	Code nr.	Plate width		Weight	Working load (max.)	Backflex radius (min.)	Plate thickness
		A					
		mm	inch	kg/m	N (21°C)	mm	mm
<b>XL-ACETAL</b>							
SH 250 XL	750.42.22	63.5	2.50	0.69	1230	50	4.0
SH 325 XL	750.42.31	82.5	3.25	0.82			
SH 84 XL	750.42.35	83.8	3.30	0.82			
SH 350 XL	750.42.32	88.9	3.50	0.87			
SH 400 XL	750.42.40	101.6	4.00	0.95			
SH 450 XL	750.42.42	114.3	4.50	1.00			
SH 600 XL	750.42.60	152.4	6.00	1.20			
SH 750 XL	750.42.72	190.5	7.50	1.44			
<b>LF-ACETAL</b>							
LF 820-K250	L0820667731	63.5	2.50	0.73	1230	50	4.0
LF 820-K325	L0820603761	82.5	3.25	0.83			
LF 820-K325 plastic pin*	L0820613711	82.5	3.25	0.63	1200		
LF 820-K343	L0820666361	87.0	3.43	0.85	1230		
LF 820-K350	L0820603771	88.9	3.50	0.87			
LF 820-K400	L0820603781	101.6	4.00	0.95			
LF 820-K450	L0820603791	114.3	4.50	1.03	1200		
LF 820-K450 plastic pin*	L0820645211	114.3	4.50	0.83			
LF 820-K600	L0820603801	152.4	6.00	1.25	1230		
LF 820-K750	L0820603811	190.5	7.50	1.47			
<b>HP-ACETAL</b>							
HP 820-K325	L0820613041	82.5	3.25	0.83	1230	50	4.0
HP 820-K343	L0820670561	87.0	3.43	0.85			
HP 820-K350	L0820669071	88.9	3.50	0.87			
HP 820-K400	L0820649231	101.6	4.00	0.95			
HP 820-K450	L0820613051	114.3	4.50	1.03			
HP 820-K600	L0820613061	152.4	6.00	1.25			
HP 820-K750	L0820613071	190.5	7.50	1.47			
<b>PS-ACETAL</b>							
SH 325 PS	750.10.03	82.5	3.25	0.82	1230	50	4.0
PS 820-K325	L0820605513	82.5	3.25	0.82			
SH 84 PS	750.10.04	83.8	3.30	0.82			
SH 450 PS	750.10.11	114.3	4.50	1.00			
PS 820-K450	L0820605523	114.3	4.50	1.00			
SH 750 PS	750.10.09	190.5	7.50	1.44			
<b>WX-POLYAMIDE COMPOSITE</b>							
SH 325 WX	750.10.05	82.5	3.25	0.83	1230	50	4.0
WX 820-K325	L0820646071	82.5	3.25	0.83			
WX 820-K450	L0820616412	114.3	4.50	1.03			
WX 820-K600	L0820606583	152.4	6.00	1.25			
WX 820-K750	L0820670542	190.5	7.50	1.47			

\* Pins made of black reinforced polyamide for non-magnetic or chemical applications. Ask customer service for minimum order quantity.

Standard length: 3.048 m - 10 feet (80 links)