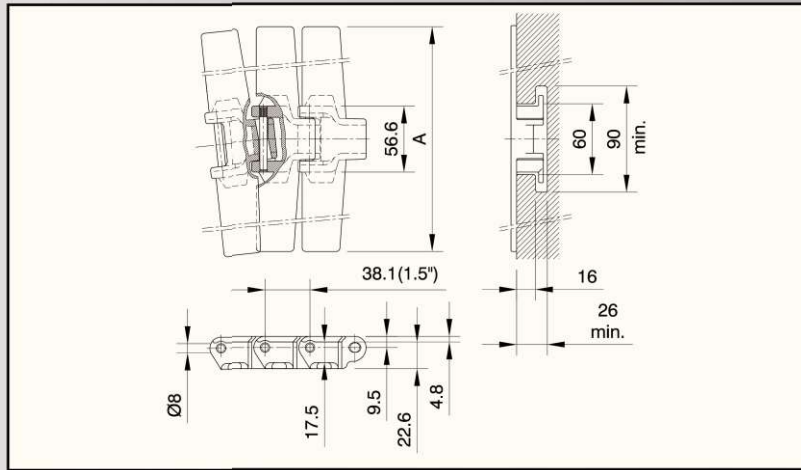


# PLASTIC TABLETOP CHAINS



**SIDEFLEX  
TAB  
HEAVY DUTY**



page 122

page 70

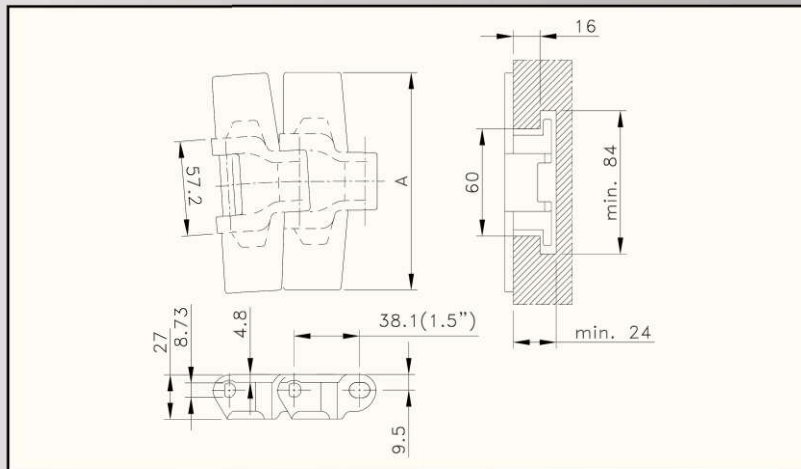
**MATERIAL**  
page 207

| Chain type       | Code nr.  | Plate width |       | Weight | Sideflex radius (min.) | Working load (max.) | Backflex radius (min.) | Plate thickness |
|------------------|-----------|-------------|-------|--------|------------------------|---------------------|------------------------|-----------------|
|                  |           | A           |       |        |                        |                     |                        |                 |
|                  |           | mm          | inch  | kg/m   | mm                     | N (21°C)            | mm                     | mm              |
| <b>XL-ACETAL</b> |           |             |       |        |                        |                     |                        |                 |
| HDF 450 XL       | 751.82.42 | 114.3       | 4.50  | 1.96   | 610                    | 3830                | 50                     | 4.8             |
| HDF 750 XL       | 751.82.72 | 190.5       | 7.50  | 2.38   |                        |                     |                        |                 |
| HDF 1000 XL      | 751.82.90 | 254.0       | 10.00 | 2.69   |                        |                     |                        |                 |
| HDF 1200 XL      | 751.82.92 | 304.8       | 12.00 | 2.94   |                        |                     |                        |                 |

Standard length: 3.048 m - 10 feet (80 links)



**SIDEFLEX  
TAB  
HEAVY DUTY**



page 122

page 70

**MATERIAL**  
page 207

| Chain type       | Code nr.    | Plate width |       | Weight | Sideflex radius (min.) | Working load (max.) | Backflex radius (min.) | Plate thickness |
|------------------|-------------|-------------|-------|--------|------------------------|---------------------|------------------------|-----------------|
|                  |             | A           |       |        |                        |                     |                        |                 |
|                  |             | mm          | inch  | kg/m   | mm                     | N (21°C)            | mm                     | mm              |
| <b>LF-ACETAL</b> |             |             |       |        |                        |                     |                        |                 |
| LF 882 TAB-K325  | 81402575*   | 82.5        | 3.25  | 1.86   | 610                    | 3830                | 40                     | 4.8             |
| LF 882 TAB-K450  | L0882604141 | 114.3       | 4.50  | 1.98   |                        |                     |                        |                 |
| LF 882 TAB-K750  | L0882604151 | 190.5       | 7.50  | 2.43   |                        |                     |                        |                 |
| LF 882 TAB-K1000 | L0882604161 | 254.0       | 10.00 | 2.87   |                        |                     |                        |                 |
| LF 882 TAB-K1200 | L0882604171 | 304.8       | 12.00 | 3.41   |                        |                     |                        |                 |

Standard length: 3.048 m - 10 feet (80 links)

\* Ask customer service for minimum order quantity.