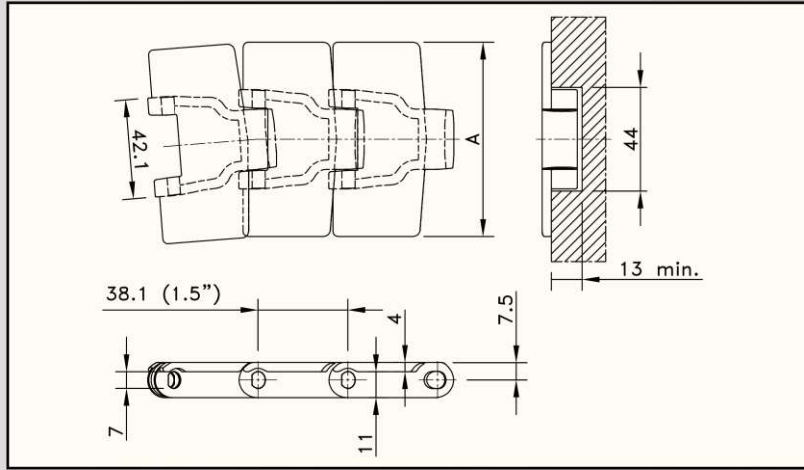


PLASTIC TABLETOP CHAINS



page 104

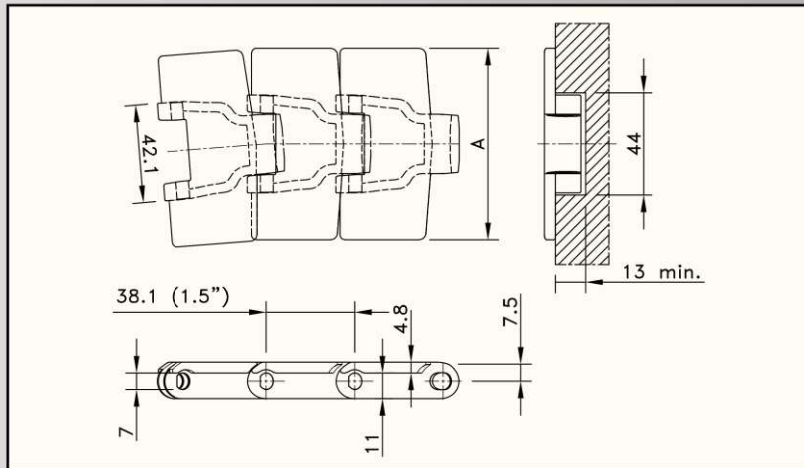
page 59, 69, 71

MATERIAL

page 207

Chain type	Code nr.	Plate width		Weight	Sideflex radius (min.)	Working load (max.)	Backflex radius (min.)	Plate thickness
		A						
		mm	inch	kg/m	mm	N (21°C)	mm	mm
XL-ACETAL								
RHMP 325 XL	781.10.07	82.5	3.25	0.82	500	2100	50	4.0
RHMP 84 XL	781.10.13	83.8	3.30	0.82				
RHM 350 XL	781.12.32	88.9	3.50	1.10				
RHM 450 XL	781.12.42	114.3	4.50	1.16				
PS-ACETAL								
RHMP 325 PS	781.10.08	82.5	3.25	0.82	500	2100	50	4.0
RHMP 84 PS	781.10.14	83.8	3.30	0.82				
WX-POLYAMIDE COMPOSITE								
RHMP 84 WX	781.10.15	83.8	3.30	0.82	500	2100	50	4.0
HP-ACETAL								
RHMP 325 HP	781.10.20	82.5	3.25	0.82	500	2100	50	4.0

Standard length: 3.048 m - 10 feet (80 links)



page 104

page 59, 69, 71

MATERIAL

page 207

Chain type	Code nr.	Plate width		Weight	Sideflex radius (min.)	Working load (max.)	Backflex radius (min.)	Plate thickness
		A						
		mm	inch	kg/m	mm	N (21°C)	mm	mm
XL-ACETAL								
RHMDP 325 XL	781.10.10	82.5	3.25	1.08	500	2100	50	4.8
RHMD 450 XL	781.22.42	114.3	4.50	1.26				
PS-ACETAL								
RHMDP 325 PS	781.10.11	82.5	3.25	0.87	500	2100	50	4.8

Standard length: 3.048 m - 10 feet (80 links)