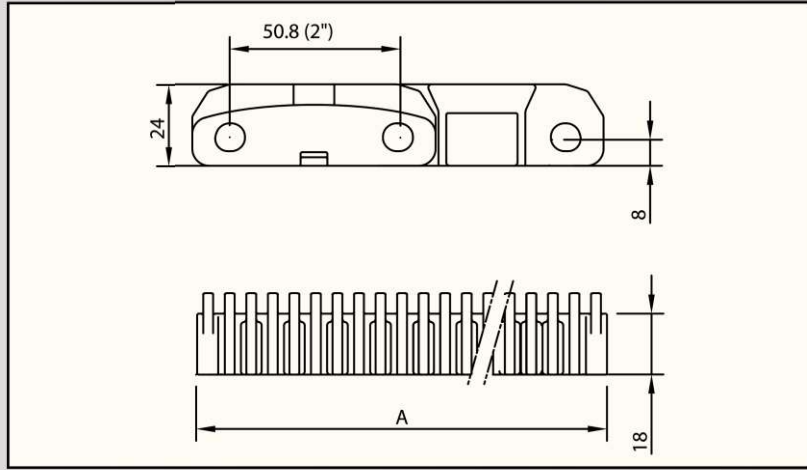
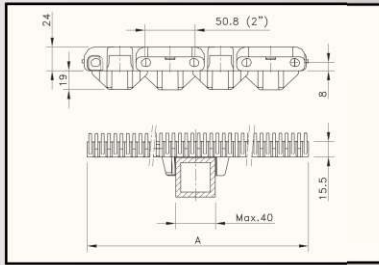
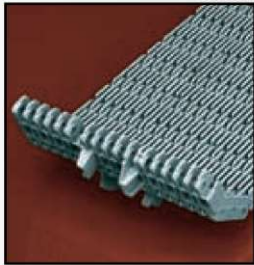


# 2000-SERIES



Assembly	Belt type	Code nr.*	Temperature range °C		Working load (max.) N/m (21°C)	Weight kg/m <sup>2</sup>	Backflex radius (min.) mm
			dry	wet			
<b>USP-POLYPROPYLENE WITH POLYPROPYLENE PINS</b>							
STANDARD	SR 2000 USP	881.50.xx	4 to 104	4 to 104	29500	11.20	75
POSITRACK	SRP 2000 USP	881.80.xx					

\* In code numbers xx corresponds with the belt width (A), starting with 10 for 3", 11 for 6" and so on in steps of 3". 2000 Belts with Positrack start with 12 for 9". See also page 206.



RAISED RIB 2000 BELT WITH POSITRACK IN THE CENTER OF THE BELT OR 1.5" OFFSET, DEPENDING ON THE WIDTH