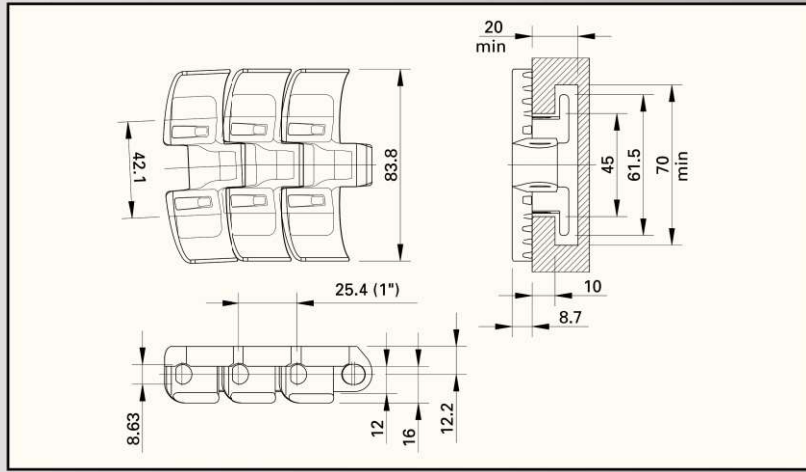


# CHAINBELTS



**FLAT TOP  
1050  
TAB**

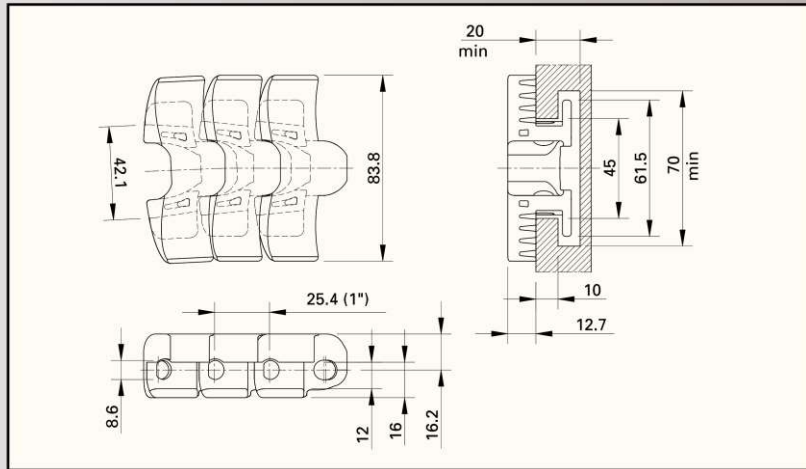


Chain type	Code nr.	Plate width		Weight	Sideflex radius (min.)	Working load (max.)	Backflex radius (min.)	Plate thickness
		A						
		mm	inch	kg/m	mm	N (21°C)	mm	mm
<b>XLG-ACETAL</b>								
FT 1050 XLG	749.61.31	83.8	3.30	1.93	500	1650	130	8.7
<b>PS-ACETAL</b>								
FT 1050 PS	749.10.12	83.8	3.30	1.93	500	1650	130	8.7

Standard length: 3.048 m - 10 feet (120 links).



**FLAT TOP  
1055  
TAB**



Chain type	Code nr.	Plate width		Weight	Sideflex radius (min.)	Working load (max.)	Backflex radius (min.)	Plate thickness
		A						
		mm	inch	kg/m	mm	N (21°C)	mm	mm
<b>XLG-ACETAL</b>								
FT 1055 XLG K330	749.71.31	83.8	3.30	2.13	500	2200	130	12.7

Standard length: 3.048 m - 10 feet (120 links).