



Falk True Torque Fluid Couplings

(Inch)



Table Of Contents

| DESCRIPTION | PAGE |
|---|----------------|
| Rexnord® Fluid Coupling Benefits | 4, 5 |
| Principles of Operation | 6, 7 |
| Basic Types | 8 |
| Accessories for Overload Protection and Prevention of Fluid Discharge | 9 |
| Other Accessories | 10 |
| COUPLING SELECTION | |
| How to Select | 11 |
| Mounting Arrangements | 12 |
| Fluid Coupling Identification | 13 |
| Quick Selection — HFN & HFD for Belt Conveyors | 14 |
| Quick Selection — HFDD for Belt Conveyors | 15 |
| Quick Selection — General Duty (Other than Belt Conveyors) | 16, 17, 18, 19 |
| COUPLING SIZES AND DIMENSIONS | |
| HFN20 Gear Coupling Mount (Non Delay Fill) | 20 |
| HF20 Gear Coupling Mount (with Delay Fill Chamber) | 21 |
| HF31, 31-1 Steelflex®/Hollow Shaft Mount | 22 |
| HF32, 32-1 Steelflex/Hollow Shaft Mount | 23 |
| HF25 Disc Coupling Mount | 24 |
| HF132 & 132-1 Tschan/Hollow Shaft Mount | 25 |
| HF41 Sheave/Hollow Shaft Mount | 26, 27, 28, 29 |
| TECHNICAL DATA | |
| Engineering Data | 29 |
| Fluid Fill Angle | 30 |
| Recommended Fluids | 30 |

Rexnord Fluid Coupling Benefits

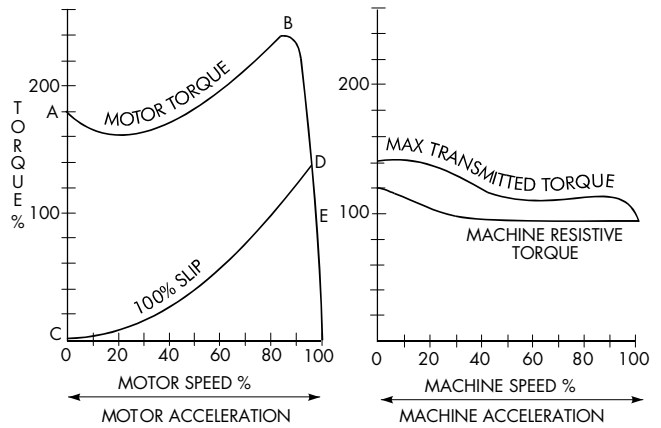
Soft Cushioned Starts

Without the fluid coupling, the motor instantly transmits its locked rotor torque (starting torque) to the driven machine (point A at right). Then, it quickly reaches and applies the breakdown torque (point B). For common applications, locked rotor and breakdown torque often approximates 200% or more of the motor nameplate rating.

Damage can result if the required break-away starting torque of the driven machine is significantly less, because the machine will be abruptly accelerated to rated speed.

With a fluid coupling installed, however, the torque to the driven machine starts at zero (point C) and gradually increases as the coupling impeller accelerates to point D.

When the output torque of the fluid coupling exceeds the break-away starting torque of the driven machine (point D), the driven machinery gradually accelerates (right half of chart). As the machine comes up to rated speed, the slip of the fluid coupling decreases to (point E) and uniform power is transmitted at maximum efficiency.



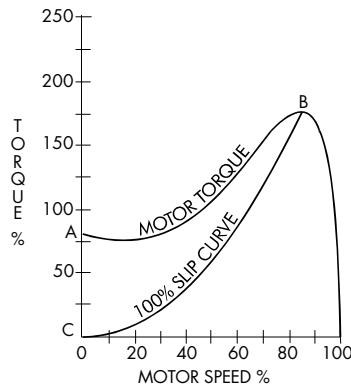
Increased Starting Torque

With a fluid coupling, the breakdown torque of a standard NEMA B squirrel cage motor can be used to provide additional torque to start the machinery.

In this example of a high-horsepower application, the NEMA B motor will initially exert only 80% of its rated torque (point A). Only if the motor can accelerate to 85% of its synchronous speed can it take advantage of its 175% breakdown torque (point B).

However, with a properly selected fluid coupling, the motor can start under no load (point C), and reach its breakdown torque in only a few shaft revolutions.

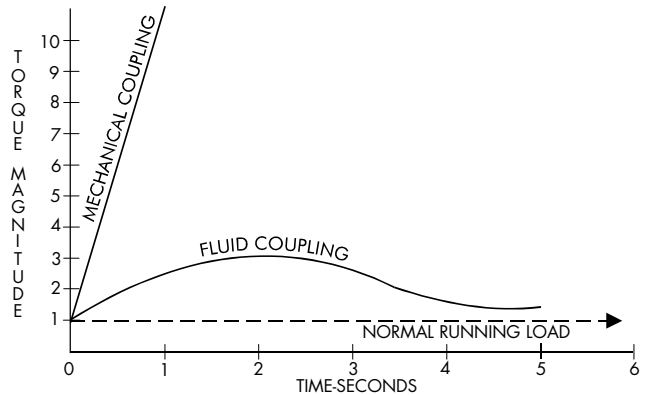
If a fluid coupling is not utilized, an oversized motor or a special high-starting-torque motor may be required. These solutions are costly and introduce undesirable variables into the system. A properly-selected and filled fluid coupling can provide an initial starting torque ideally matched to the needs of the driven machine. Attainable initial starting torque values range from 40% of normal running load minimum, up to a maximum initial starting torque value that equals the full breakdown torque of the motor.



Overload Protection

When a machine jams, the life of individual components may be drastically reduced. Without overload protection, the stored energy of the machine is absorbed in the first second following the jam, increasing stresses on components to many times their normal running values.

The fluid coupling slip characteristics spread the absorption of the impact over a period of time, reducing stress on the components and therefore protecting your machinery.



Safety Notes

Install and operate Rexnord products in conformance with applicable local and national safety codes and per Rexnord installation manuals which are shipped with fluid couplings and are also available upon request. Suitable guards for rotating members may be purchased from Rexnord as optional accessories. Consult your local Rexnord district office for complete details.

People Conveying Equipment – Selection of Rexnord gear drives for applications whose primary purpose is the transportation of people is not approved. This includes such applications as freight or passenger elevators, escalators, man lift platforms, and ski tows and ski lifts.

If the primary purpose of the application is material conveyance and occasionally people are transported, the Rexnord warranty may remain in effect, provided the design load conditions are not exceeded and certification to the appropriate safety codes and load conditions has been obtained by the system designer or end user from the appropriate enforcement authorities.

Speed Variation of Multi-Speed Applications – Fluid couplings offered in this catalog are designed to operate on single-speed applications, i.e. the motor driving the fluid coupling is started, accelerates to its base speed, and is not subject to speed variation about its base speed. The operating characteristics of a fluid coupling (a centrifugal device) are dependent on the speed of the coupling, and in particular, reduction in speed from those conditions identified in the selection tables will cause diminishing performance. All variable speed or multi-speed applications should be referred to the Factory to determine whether a fluid coupling is suitable for the application.

Warranty – The warranty period for Fluid Couplings is 1.5 years from date of shipment. The description of what is covered by this warranty is found in Rexnord's General Conditions & Terms/Standard Conditions of Sale.

Rexnord Fluid Coupling Benefits

Reduced Current Draw When Starting

The electric current draw at start-up is dramatically reduced when a fluid coupling is present. The motor starts without any meaningful load yet applied by the driven machinery (point A, **Figure 1**). In the absence of load, the motor quickly accelerates to approximately 90% of its full load speed (point B, **Figure 1**). The result is that low current draw (point C, **Figure 1**) is achieved within several shaft revolutions. At this point the inertia of the motor has been accelerated, and the application of load from the driven machine will not cause subsequent periods of high inrush current.

With a fluid coupling, the duration of high current draw is reduced substantially as shown in the shaded area of **Figure 2**. This results in electrical savings and extended service life of the motor.

Accessories Provide Non-discharging Protection Against Overload

If a jam occurs without a fluid coupling, the motor will stall, draw over 500% of full load current (point A), and possibly burn out. Furthermore, mechanical impact forces of even greater magnitude can be generated which can damage the driven machine.

With a properly selected fluid coupling, the motor speed will lug down only to the intersection of the motor torque and 100% slip curve of the fluid coupling (point B). Therefore, the current draw of the motor will only rise to point C. If the overload or blockage is removed, the drive will resume its normal torque and speed. If not removed, the coupling fluid temperature will rise, causing the fusible plug to melt. This disconnects the torque from the driven machine. In lieu of a fusible plug, consider a proximity sensor cutout switch, or a non-discharging thermal trip plug and thermal trip switch. See **page 9** for details.

Load Balancing for Multiple Drives

Loads can be easily balanced on multiple drive systems when fluid couplings are installed at each motor. Refer to the illustration at the right of two motors, each equipped with a fluid coupling. Load sharing between the two motors has been achieved by appropriately adding fluid to one coupling or withdrawing fluid from the other coupling.

As an added benefit, motors on multiple drive systems can be individually started because of the ability of one coupling to temporarily operate at 100% slip. Starting one motor at a time provides extended and even softer starts on multiple drive conveyors. Since the motors are started as separate events, the system maximum inrush current will be approximately half the system maximum inrush current experienced when both motors are started simultaneously.

Load Dampening

A fluid coupling dampens shock and vibratory load to maximize equipment life.

Figure 1

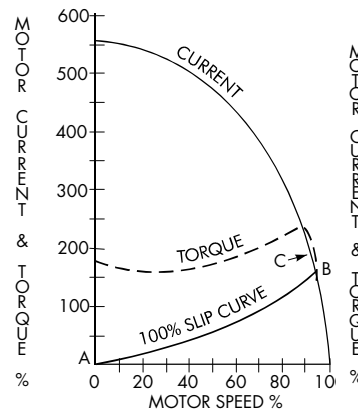
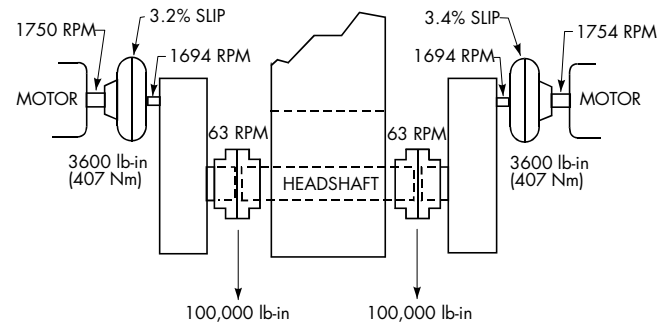
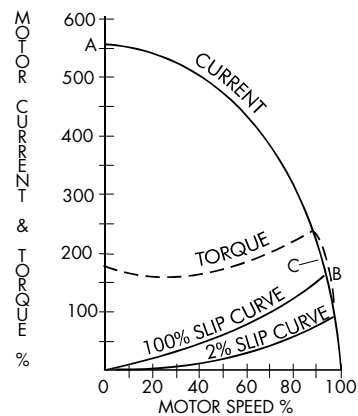
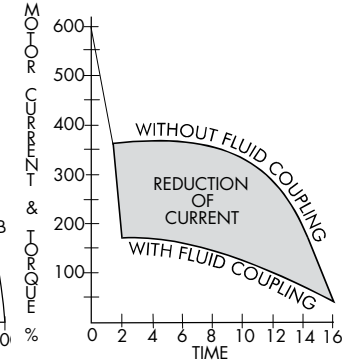


Figure 2



Principles of Operation

Introduction

The working circuit is defined by the Casing, Impeller and Runner. A conical baffle is attached to the Impeller, and a flat baffle is attached to the Runner. The Impeller and Runner each represent half of a hollow torus, each with flat radial vanes. Torque transfer takes place as follows.

Driving End (Input) mechanically transfers torque to the **Casing**.

Casing mechanically transfers torque to the **Impeller**.

Impeller transfers torque, via the fluid, to the **Runner**.

Runner mechanically transfers torque to the **Shaft**.

Shaft mechanically transfers torque to the **Driven End (Output)**.

The Runner has no mechanical connection to the Impeller. These two components are connected by the energized fluid. If you rotate the Driving End (Input) by hand, the Driven End (Output) does not rotate.

Fluid couplings are furnished without fluid. Customer-supplied fluid is added during installation.

Starting

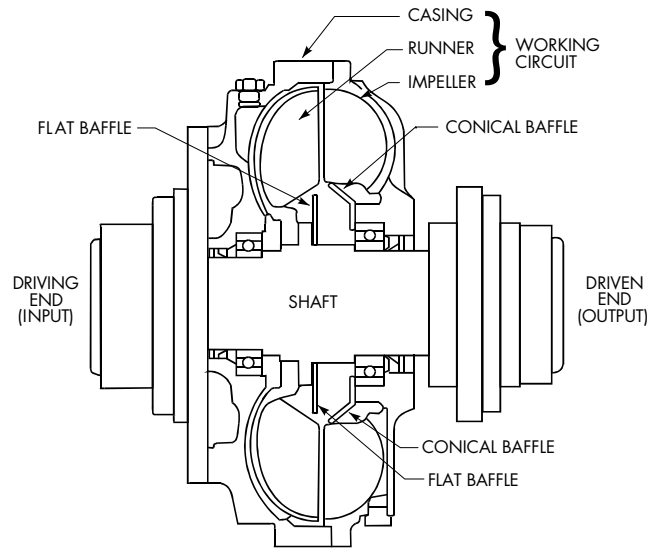
Standard NEMA B motors are recommended when using fluid couplings and will start virtually unloaded. Since the motor is mechanically connected to the impeller and casing, the low inertia of these components and the fluid are the only loads imposed. As the electric motor accelerates to running speed, the impeller begins to centrifugally pump fluid to the stationary runner. Initial dispersion of fluid is de-concentrated by the conical impeller baffle, producing a gradual increase in torque, allowing the motor to accelerate rapidly to full running speed. When all the fluid is pumped into the working circuit, continuous circulation of fluid will occur between the impeller and runner. A flow path is formed, shaped like a helical coil that is joined into a closed ring.

As soon as the transmitted torque reaches the value of the load breakaway torque, the runner starts rotating and accelerates the driven load. The time required to reach full speed is dependent on the inertia of the driven load, the resistive torque and the torque being transmitted by the fluid coupling.

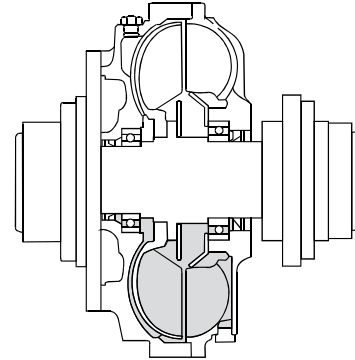
Running

The operation of a fluid coupling is based on hydrokinetic principles and requires that the output speed be less than the input. This difference in speed is called slip. Further, this principle provides that the output torque is equivalent to the input torque. Therefore, efficiency equals 100% minus the percent of slip.

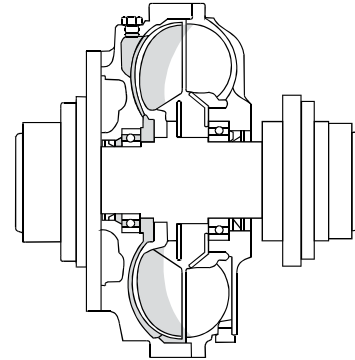
At full running speed, fluid couplings will normally slip between 1% and 4%. The fluid circulation between the impeller and runner has formed a helical coil at the outside circumference of the working circuit and is no longer de-concentrated by the conical baffle.



AT REST



STARTING



RUNNING

Principles of Operation

Overload – Stall

If the load torque increases, the slip will increase, which causes the runner to drop in speed. The coil of fluid circulating between the impeller and runner will expand to provide additional torque. The extent to which this coil can expand is limited by the flat baffle on the runner. Consequently fluid couplings provide inherent overload protection.

If the increase in torque causes the fluid in the working circuit to expand to the point of contacting the baffle, the coupling will stall and slip will be 100%. This continuous high slip generates heat and the fluid temperature will rise unless the overload is removed. When the temperature rises to the temperature limit of the fusible plug, the core of the plug will melt, releasing fluid from the coupling and effectively disconnecting power to the output shaft. To prevent the discharge of fluid, the use of a proximity cutout switch or thermal trip plug and limit switch is recommended, see **page 9**.

Coupling guards must be designed to permit the free flow of air for cooling the fluid coupling and to contain fluid discharge from fusible plug(s) in the event of a sustained overload. Consider Falk® Orange Peel® coupling guards, which are ideally suited for this purpose.

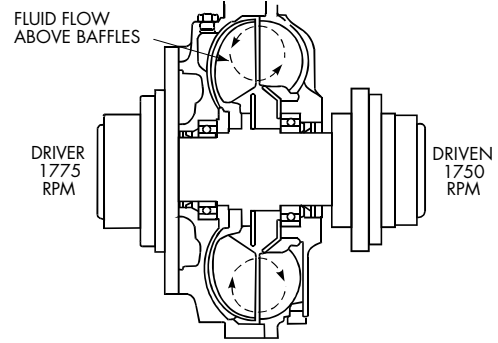
Belt Conveyors – Superior Soft Start Delay Fill (HFD) and Extended Delay Fill (HFDD)

The starting torque that can be transmitted by a fluid coupling is a function of the amount of fluid in the working circuit at start. The delay fill chamber with metering orifice option, bolted to the driving end of Sizes 1420HF thru 2870HF fluid couplings, permits a portion of the fluid to drain out of the working circuit and into the delay chamber, when the coupling is at rest. This reduction of fluid in the working circuit at start-up provides an ideal method to assure superior soft start for belt conveyors and is effective for starting belts that are loaded or unloaded.

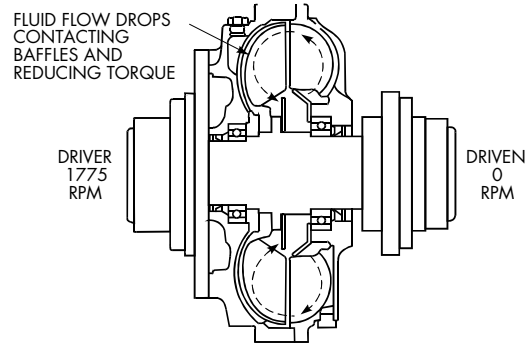
Upon starting, and once the electric motor has accelerated the fluid coupling to appreciable speed, the fluid in the delay chamber is slowly metered into the working circuit by virtue of the three metering orifice plugs shown below, gradually increasing the transmitted torque. The time required to completely empty the delay chamber can range from 15 to 60 seconds.

Rexnord offers delay fill (HFD) and extended delay fill (HFDD). These solutions provide longer, softer starts, while providing higher efficiencies at full operating speeds.

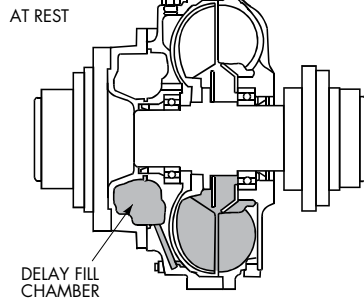
NORMAL RUNNING CONDITION



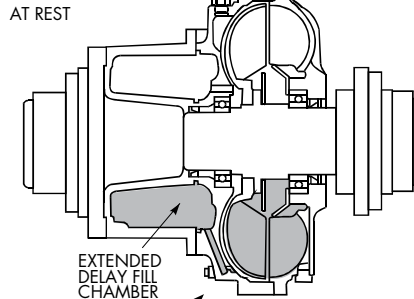
INCEPTION OF OVERLOAD/STALL



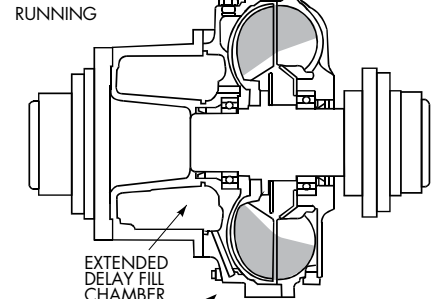
TYPE HFD DELAY FILL



TYPE HFDD EXTENDED DELAY



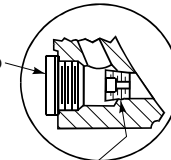
TYPE HFDD EXTENDED DELAY FILL



SIZES 1420 & LARGER TYPES HFD & HFDD

METERING ORIFICES DETERMINE FLOW RATE FROM FILL CHAMBER TO WORKING CIRCUIT

EXTERNAL ACCESS PLUG (3) EQUALLY SPACED

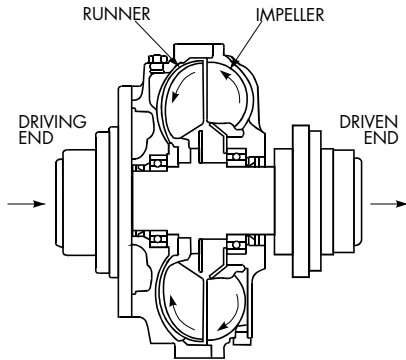


REPLACEABLE METERING ORIFICE (3) EQUALLY SPACED

Basic Types

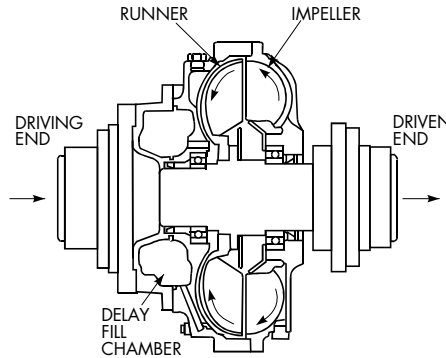
Non Delay Fill (HFN) and Inactive Delay Fill (HFR)

- Soft, cushioned start with a short delay in the acceleration of the load (Example: 5 seconds)
- Satisfactory soft start for many common applications
- Best choice for overload protection (**page 4**)
- Good choice for increased starting torque (**page 4**)
- All fluid remains in the working circuit
- HFR (plugged delay fill chamber) furnished when HFN not available



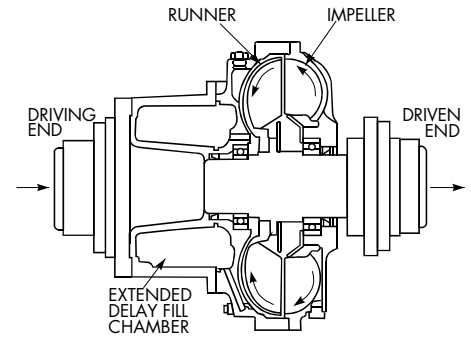
Delay Fill (HFD)

- Softer, more cushioned start with longer delay in the acceleration of the load (Example: 12 seconds)
- Excellent choice for belt conveyors and other applications calling for sophisticated soft start
- Incorporates delay fill chamber
- At start, the working circuit has reduced fill. Fluid from the delay chamber is metered into the working circuit during acceleration.
- Provides overload protection



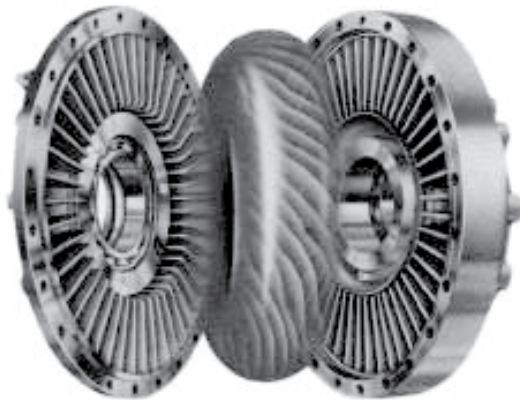
Extended Delay Fill (HFDD)

- Softest, most cushioned start of empty belt conveyors and longest delay in the acceleration of the load (Example: 20 seconds)
- Superior choice for high end belt conveyors, low inertia applications and starting of empty belts
- Incorporates extended (enlarged) delay fill chamber
- At start, the working circuit has least fill. Fluid from the extended delay chamber is metered into the working circuit during acceleration.



Choosing the Right Basic Type

The information above, along with the Quick Selection Tables, enables you to choose the most appropriate basic type of fluid coupling. Where required, Rexnord can provide engineered fluid coupling selections based on the demand horsepower and WR^2 of your mechanical system.



Fluid Does the Work

At start-up centrifugal force and impeller vane action pump the working fluid against the runner, building torque and speed to match the motor capabilities with the driven machine requirements.

Standard Features

- 1-1500 hp capacity
- No contacting surfaces to wear out
- Efficiencies to 99%
- Bolted (not welded) construction for simple rebuilds
- High-temperature Viton® seals for long life
- Internal baffles for soft starts and stalls
- 2 fusible overload plugs, 140°C/200°C for maximum protection
- Fill angle finder makes setup easy
- Externally-changeable metering orifices (1420 & larger)
- Standard delay chambers (370 & larger)
- Extended delay chambers (370 & larger)

Accessories for Overload Protection and Prevention of Fluid Discharge

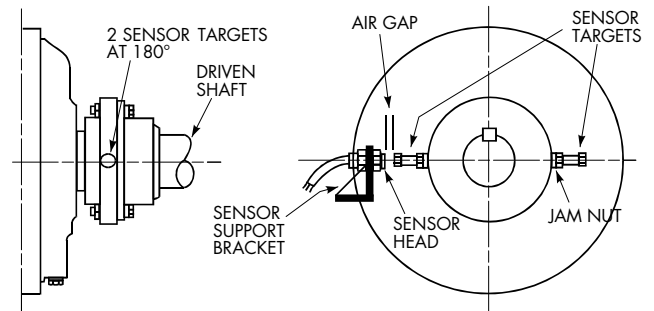
Proximity Sensor Cutout Switch

The actual speed of the driven shaft is continuously compared to the pre-set cutout speed. The switch includes an adjustable speed control box for manual setting of the cutout speed, usually 80% of normal operating speed. During overload, the instant the driven shaft speed drops below the cutout speed, the cutout switch opens the motor starter circuit, disconnecting the motor electrical supply.

To start the system after the overload is removed, press the start button and hold it until the driven shaft speed exceeds the cutout speed. If the overload has NOT been removed, the starter circuit will again open and shut down the motor when the start button is released because the driven shaft did not exceed the cutout speed. Nothing needs to be replaced or repaired.

For Type HF20, the sensor target can be placed on the output half of the gear coupling. For Types HF31, 31-1, 32 and 32-1, the sensor target would be attached to a shaft on the output side of the fluid coupling. For the HF41, the sensor target would be attached to the end of the fluid coupling opposite the sheave.

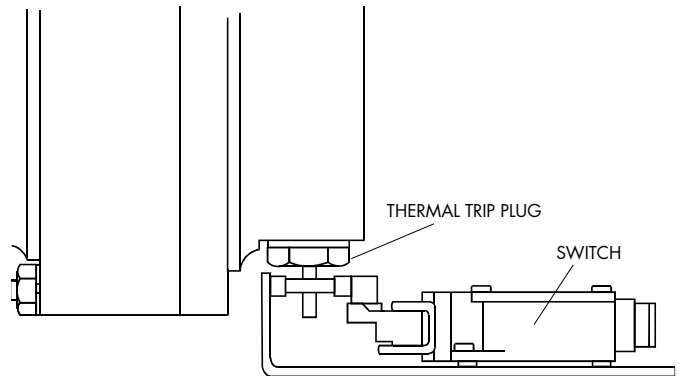
For a full description of the proximity sensor cutout switch, see Service Manual 428-440.



Thermal Trip Plug & Thermal Trip Switch

Fluid discharge can be prevented by using an optional thermal trip plug in place of the standard fusible plug. When the fluid temperature exceeds a predetermined value, a pin extends to trip a limit switch and cut out the motor. Thermal trip plugs are available in temperatures of 140°C and 180°C. The drive can be reactivated by resetting the motor cutout and replacing the trip plug.

NOTE: For the Type HF41 sheave coupling design (or any reverse-mounted fluid coupling), the thermal trip plug/limit switch prevents fluid discharge due to overheating caused by excessive slippage, where the coupling slows down, but does not stall. In this case the trip plug will still rotate and trip the switch in the event of overheating. If the requirement is to trip a switch in the event of a total jam in the system (outer case of fluid coupling at zero rpm and plug cannot rotate through switch), use the proximity sensor cutout switch above. For a full description of the thermal trip plug and thermal trip switch, see service manual 528-510.

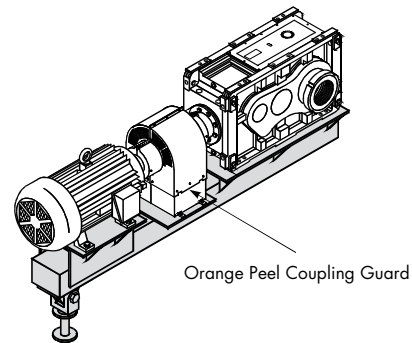


Orange Peel Coupling Guards

Rexnord Orange Peel Coupling Guards offer a convenient, economical enclosure for rotating couplings.

| Fluid Coupling Size | Orange Peel Guard Selection ① |
|---------------------|---------------------------------|
| 185HF | CFCG30 |
| 235HF | CFCG40 |
| 270HF | CFCG40 |
| 320HF | CFCG50 |
| 370HF | CFCG50 |
| 1420HF - 1660HF | See Orange Peel Catalog 111-310 |
| >1660HF | Refer to the Factory |

① Review site conditions versus guard dimensions to assure proper clearances for guard are present.



Other Accessories

Angle Finder (Part No. 1224653)

Each fluid coupling is shipped with an angle finder. Reorder in case of loss or damage. The angle finder will ease the task of filling the fluid coupling to the specified fill angle. Setup time is reduced, because the angle finder is direct-reading. Simply place the angle finder on the filler plug boss and rotate the coupling to the required fill angle.

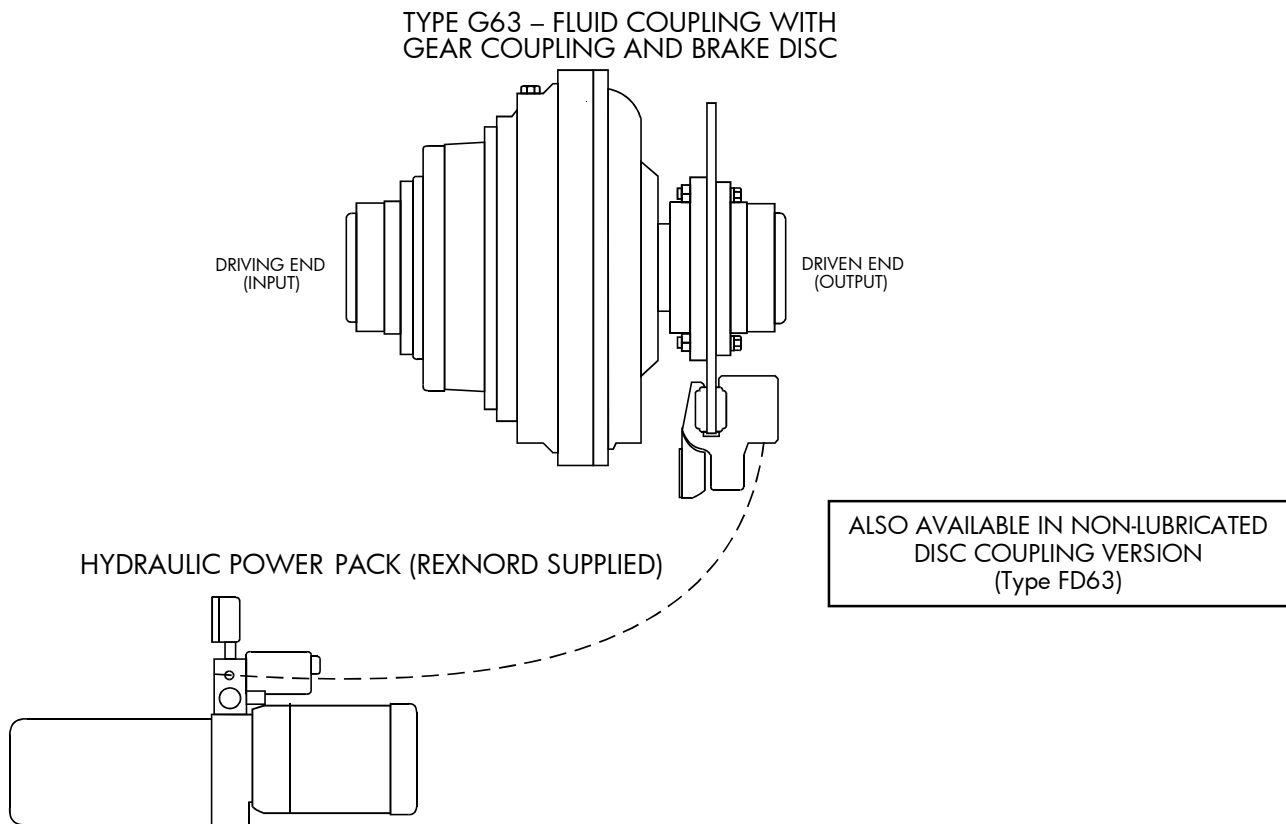
Provide Soft Start Plus Holdback – or – Control the Overrun Tendencies of Specific Applications

Fluid Coupling/Disc Brake Package

Fluid coupling/disc brake packages are versatile designs that can be customized to meet your specific needs. The superior performance inherent in disc brakes, combined with the benefits of a fluid coupling, provide an ideal package for inclined conveyors where soft start and holdback are required for the process of moving loads from a lower elevation to a higher elevation. The package consists of a fluid coupling and a Type G63 coupling (gear coupling with brake disc incorporated). The brake disc is designed to be compatible with hydraulic calipers that are actuated by a factory-supplied hydraulic power pack.

In the illustration below, the G63 mounting of the brake disc is shown. Note that application of the brake takes place at the output side of the fluid coupling. This arrangement assures that braking is applied directly to the driven shaft.

The use of a fluid coupling/brake disc package to retard over-running tendencies associated with specific applications or to retard eccentric loads that tend to roll back to a neutral centered position requires significant analysis and should be referred to the Factory.



How to Select

The fluid coupling is a multiple-use device:

- Provides soft, cushioned starts
- Provides increased starting torque
- Provides overload protection
- Reduces current draw when starting
- Provides load balancing for multiple drives
- Provides load dampening

To achieve these objectives, use a standard NEMA B motor with sufficient breakdown torque to start the machinery and with adequate continuous rating for the normal continuous load. The function of the fluid coupling is to allow the motor to come up to speed with minimum load.

The fluid coupling is selected on the basis of the full load running horsepower as well as the torque required to start the load. In some applications, such as belt conveyors, it may be desirable to limit the maximum starting torque. If possible, select the coupling on the basis of the load rather than the motor rating, especially if the motor is oversized. Couplings that are selected on the basis of the motor size will have starting torque and maximum overload torques in relation to the motor rating.

Selection Procedure

1. Determine the running load horsepower (preferred) or the motor horsepower.
2. **Choose a Start Factor from the Table below.** Start Factor: the ratio of a pertinent starting torque to the running load torque (the torque required to maintain the load (speed) once equipment has been accelerated to its design speed).

For belt conveyors select from pages 14 and 15. Start Factor is the average starting torque exerted by the fluid coupling during load acceleration, expressed as a percent of running load torque. Page 15 (HFDD) also states initial start factor, which is the nominal torque applied at the inception of acceleration, expressed as a percent of running load torque. The low initial start factor (HFDD) assures an extra soft empty belt start on low inertia conveyors, yet is adequate to overcome the breakaway torque of the conveyor.

For general duty (other than belt conveyors), select from pages 16 thru 19. Start Factor is equivalent to the initial start factor mentioned in the paragraph above. For these general duty applications, the initial start factor ensures breakaway of the driven machinery.

Start Factor Table

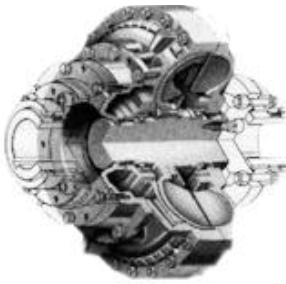
| Applications | Start Factor | Select From |
|------------------------|----------------------|----------------------|
| Belt Conveyors | 120% to 140% | pages 14-15 |
| General Duty | | |
| Fans | 140% | pages 16-19 |
| Mixers | 170% to 200% | pages 16-19 |
| Crushers | 250% | pages 16-19 |
| Armored Face Conveyors | Refer to the Factory | Refer to the Factory |

3. Refer to the Quick Selection tables (**pages 14 thru 19**).
For belt conveyors, select HFN or HFD from **page 14**. For extra soft empty belt starts on low inertia belt conveyors, consider HFDD selections on **page 15**.
For general duty (other than belt conveyors), select HFD or HFN/HFR from **pages 16 thru 19**.
Note the percent slip and fill angle.
4. Select one of the Mounting Arrangements (gear coupling, disc coupling, etc.) from **page 12**.
5. For coupling size, basic type, and mounting arrangement selected, see Availability Table, **page 13**. This table indicates whether the selection is available and, if so, the allowable speed.
6. If the initial basic type and mounting arrangement are not available or there is insufficient allowable speed, consider an alternative basic type/mounting arrangement.
7. Check bore capacity of the coupling selected from the dimension tables, **pages 20 thru 29**.

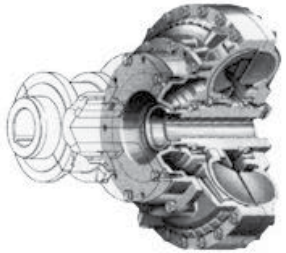
Selection Example:

1. Belt Conveyor: Fluid coupling connects a motor to the input shaft of a gear drive. Motor is NEMA B, rated 100 hp at 1775 rpm. Running load = 98 hp. Motor shaft 2.875", gear drive input shaft 2.250".
2. With the Start Factor 120% to 140%, select from **pages 14 and 15** as appropriate (selections for belt conveyors).
3. Use HFD selections for belt conveyors, **page 14**. For 98 hp running load, select 370HFD, 4.1% slip, fill angle 63 degrees.
4. Select 370HFD20 (gear coupling mount) from **page 12** – economical and includes drop-in/drop-out servicing.
5. From the Availability Table, **page 13**, 370HFD20 is available, allowable speed is 1800 rpm, exceeds the requirement of 1775 rpm.
6. Alternative basic type/mounting arrangements are listed on **page 13**.
7. From **page 21** dimensions, max bore is 2.875", which is adequate.

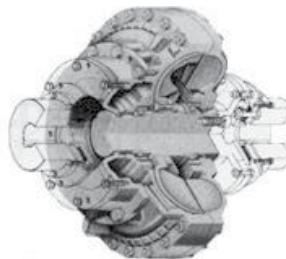
Mounting Arrangements



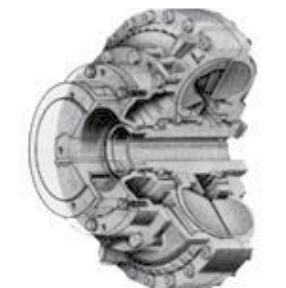
Pages 20-21



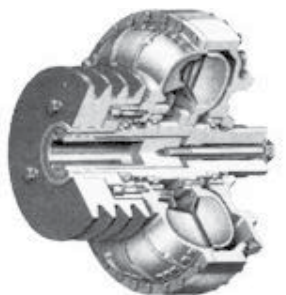
Pages 22-23



Page 24



Page 25



Pages 26-29

Gear Coupling Mount

Type HF20 (Exposed Bolt)

- Most economical
- Drop-in/drop-out servicing (no need to move connected equipment)
- Available Sizes 185-1660
- Readily shipped from stock components

Steelflex/Hollow Shaft Mount

Type HF31 (Setscrew Retention)

Type HF32 (Keeper Plate Retention)

- For limited shaft gaps/Steelflex grid coupling at driving end
- Hollow shaft bored to the order
- Type HF31/available Sizes 320-1480/secured to driven shaft with 2 setscrews/allow clearance for setscrew wrench
- Type HF32/available Sizes 320-2760/secured to driven shaft with keeper plate and retention fastener/drill and tap driven shaft end for retention fastener
- Excellent performance at high power and high rpm

Disc Coupling Mount

Type HF25

- Non-lubricated, low maintenance, long life
- Drop-in/drop-out servicing (no need to move connected equipment)
- Available Sizes 370-2870
- Excellent performance at high power and high rpm

Tschan/Hollow Shaft Mount

Type HF132

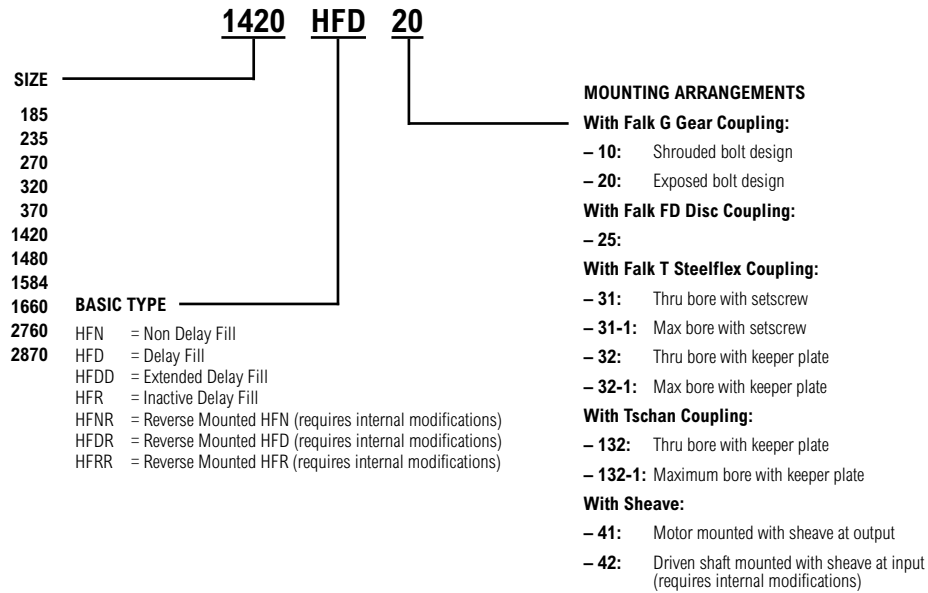
- For minimum shaft gaps/Tschan elastomeric coupling at driving end
- Non-lubricated, low maintenance
- Hollow shaft bored to the order
- Available Sizes 370-2760/secured to driven shaft with keeper plate and retention fastener/drill-and-tap-driven shaft end for retention fastener
- Excellent performance at high power and high rpm

Sheave/Hollow Shaft Mount

Type HF41

- For V-Belt connections
- Mounted on motor shaft
- Sizes 185-370/QD sheave by purchaser/standard hollow shaft collet with draw bolt by Factory
- Size 1420/special sheave by Factory/standard hollow shaft collet with draw bolt by Factory
- Sizes 1480-1584/special sheave by Factory/hollow shaft bored to the order/secured to motor shaft with keeper plate and retention fastener/drill-and-tap motor shaft end for retention fastener
- Follow manufacturer's recommendations when tensioning V-Belts

Fluid Coupling Identification



Availability Table (by Basic Type & Mounting Arrangement)

(An Allowable Speed indicates that the fluid coupling Basic Type and Mounting Arrangement is available for the given size)

| Basic Type | | Mounting Arrangement | Coupling Size & Allowable Speed (rpm) | | | | | | | | | | |
|------------|------|----------------------|---------------------------------------|------|------|------|------|------|------|------|------|------|------|
| | | | 185 | 235 | 270 | 320 | 370 | 1420 | 1480 | 1584 | 1660 | 2760 | 2870 |
| Gear | HFN | 10 | 1800 | 1800 | 1800 | 1800 | 1800 | - | - | - | - | - | - |
| Gear | HFN | 20 | 1800 | 1800 | 1800 | 1800 | 1800 | 1800 | 1800 | - | - | - | - |
| Gear | HFD | 20 | - | - | - | - | 1800 | 1800 | 1800 | 1500 | 1200 | - | - |
| Gear | HFDD | 20 | - | - | - | - | - | 1800 | 1800 | 1500 | 1200 | - | - |
| Gear | HFR | 20 | - | - | - | - | - | - | - | 1500 | 1200 | - | - |
| Steelflex | HFN | 31 | - | - | - | 1800 | - | - | - | - | - | - | - |
| Steelflex | HFD | 31, 31-1 | - | - | - | - | 1800 | 1800 | 1800 | - | - | - | - |
| Steelflex | HFR | 31, 31-1 | - | - | - | - | 1800 | 1800 | 1800 | - | - | - | - |
| Steelflex | HFN | 32, 32-1 | - | - | - | 1800 | - | - | - | - | - | - | - |
| Steelflex | HFD | 32, 32-1 | - | - | - | - | 1800 | 1800 | 1800 | 1800 | 1800 | 1800 | - |
| Steelflex | HFR | 32, 32-1 | - | - | - | - | 1800 | 1800 | 1800 | 1800 | 1800 | 1800 | - |
| Disc | HFN | 25 | - | - | - | - | - | - | - | - | - | - | 1500 |
| Disc | HFD | 25 | - | - | - | - | 1800 | 1800 | 1800 | 1800 | 1800 | 1800 | 1500 |
| Disc | HFDD | 25 | - | - | - | - | - | 1800 | 1800 | 1800 | 1800 | 1800 | 1500 |
| Disc | HFR | 25 | - | - | - | - | 1800 | 1800 | 1800 | 1800 | 1800 | 1800 | - |
| Tschan | HFD | 132, 132-1 | - | - | - | - | 1800 | 1800 | 1800 | 1800 | 1800 | 1800 | - |
| Tschan | HFDD | 132, 132-1 | - | - | - | - | - | 1800 | 1800 | 1800 | 1800 | 1800 | - |
| Tschan | HFR | 132, 132-1 | - | - | - | - | 1800 | 1800 | 1800 | 1800 | 1800 | 1800 | - |
| Sheave | HFN | 41 | 1800 | 1800 | 1800 | 1800 | 1800 | 1800 | 1800 | 1800 | - | - | - |
| Sheave | HFD | 41 | - | - | - | - | 1800 | 1800 | 1800 | 1800 | - | - | - |

Quick Selection — HFN & HFD for Belt Conveyors ^①

Quick Selection Table 1775-870 RPM Input Speed

| Load HP | Start Factor 140% for Belt Conveyors ^③ | | | | | | | | | | | | | | |
|---------|---|--------|------------|-------------------|--------|------------|---------------|--------|------------|---------------|--------|------------|---------------|--------|------------|
| | 1775 RPM | | | 1450 RPM | | | 1170 RPM | | | 970 RPM | | | 870 RPM | | |
| | HFN & HFD | | | HFN & HFD | | | HFN & HFD | | | HFN & HFD | | | HFN & HFD | | |
| | Coupling Size | % Slip | Fill Angle | Coupling Size | % Slip | Fill Angle | Coupling Size | % Slip | Fill Angle | Coupling Size | % Slip | Fill Angle | Coupling Size | % Slip | Fill Angle |
| 1.00 | 185 | 5.0 | 85 | 185 | 4.4 | 75 | 185 | 6.6 | 61 | 235 | 4.2 | 75 | 235 | 4.9 | 70 |
| 1.25 | 185 | 4.9 | 81 | 185 | 4.5 | 71 | 235 | 4.9 | 80 | 235 | 4.7 | 71 | 235 | 7.5 | 65 |
| 1.50 | 185 | 5.0 | 78 | 185 | 5.1 | 67 | 235 | 4.8 | 77 | 235 | 5.1 | 68 | 270 | 3.0 | 70 |
| 1.75 | 185 | 5.0 | 76 | 185 | 6.0 | 63 | 235 | 4.4 | 75 | 235 | 6.1 | 63 | 270 | 3.9 | 67 |
| 2.00 | 185 | 4.7 | 74 | 185 | 7.1 | 60 | 235 | 5.0 | 73 | 235 | 6.6 | 60 | 270 | 4.2 | 65 |
| 2.50 | 185 | 4.7 | 70 | 235 | 4.9 | 79 | 235 | 4.8 | 68 | 270 | 3.8 | 68 | 270 | 6.3 | 60 |
| 3.00 | 185 | 5.4 | 65 | 235 | 4.5 | 76 | 235 | 6.1 | 64 | 270 | 4.5 | 64 | 320 | 3.3 | 74 |
| 4.00 | 235 | 4.7 | 81 | 235 | 5.0 | 72 | 270 | 3.3 | 69 | 320 | 3.2 | 75 | 320 | 3.6 | 68 |
| 5.00 | 235 | 5.1 | 78 | 235 | 5.2 | 67 | 270 | 4.4 | 65 | 320 | 3.2 | 71 | 320 | 4.7 | 64 |
| 6.25 | 235 | 4.6 | 75 | 235 | 6.5 | 61 | 270 | 6.8 | 60 | 320 | 4.0 | 66 | 370 | 2.7 | 83 |
| 7.50 | 235 | 4.4 | 71 | 270 | 3.3 | 69 | 320 | 3.3 | 73 | 320 | 5.1 | 63 | 370 | 2.8 | 77 |
| 8.75 | 235 | 4.8 | 68 | 270 | 4.0 | 66 | 320 | 3.1 | 70 | 370 | 2.7 | 83 | 370 | 3.0 | 72 |
| 10.0 | 235 | 5.6 | 65 | 270 | 4.8 | 64 | 320 | 3.7 | 67 | 370 | 2.8 | 79 | 370 | 3.4 | 68 |
| 12.5 | 270 | 3.2 | 71 | 270 | 7.4 | 59 | 320 | 4.9 | 63 | 370 | 3.0 | 72 | 370 | 4.4 | 61 |
| 15.0 | 270 | 3.9 | 68 | 320 | 3.2 | 72 | 370 | 2.7 | 83 | 370 | 3.6 | 66 | 1420 | 3.0 | 75 |
| 17.5 | 270 | 4.4 | 65 | 320 | 3.3 | 69 | 370 | 2.8 | 78 | 1420 | 2.6 | 81 | 1420 | 3.1 | 70 |
| 20.0 | 270 | 5.7 | 62 | 320 | 3.8 | 66 | 370 | 3.0 | 74 | 1420 | 2.8 | 77 | 1420 | 3.7 | 66 |
| 22.5 | 270 | 7.0 | 59 | 320 | 4.4 | 64 | 370 | 3.1 | 70 | 1420 | 3.0 | 73 | 1420 | 4.1 | 62 |
| 25.0 | 320 | 3.5 | 75 | 320 | 5.4 | 62 | 370 | 3.5 | 67 | 1420 | 3.1 | 70 | 1420 | 4.6 | 59 |
| 27.5 | 320 | 3.2 | 72 | 370 | 2.7 | 84 | 370 | 3.9 | 64 | 1420 | 3.5 | 67 | 1480 | 2.8 | 77 |
| 30.0 | 320 | 3.0 | 70 | 370 | 2.6 | 81 | 1420 | 2.6 | 81 | 1420 | 3.8 | 64 | 1480 | 3.0 | 74 |
| 35.0 | 320 | 3.7 | 67 | 370 | 2.9 | 77 | 1420 | 2.8 | 76 | 1480 | 2.7 | 80 | 1480 | 3.2 | 69 |
| 40.0 | 320 | 4.2 | 65 | 370 | 3.0 | 72 | 1420 | 3.0 | 72 | 1480 | 2.8 | 76 | 1480 | 3.7 | 65 |
| 45.0 | 320 | 5.1 | 62 | 370 | 3.3 | 69 | 1420 | 3.3 | 68 | 1480 | 3.1 | 73 | 1480 | 4.3 | 62 |
| 50.0 | 370 | 2.7 | 84 | 370 | 3.6 | 65 | 1420 | 3.7 | 65 | 1480 | 3.2 | 69 | 1584 | 2.6 | 88 |
| 55.0 | 370 | 2.6 | 81 | 1420 | 2.6 | 82 | 1480 | 2.7 | 83 | 1480 | 3.6 | 66 | 1584 | 2.7 | 85 |
| 60.0 | 370 | 2.8 | 79 | 1420 | 2.7 | 79 | 1480 | 2.7 | 80 | 1584 | 2.7 | 92 | 1584 | 2.7 | 83 |
| 67.5 | 370 | 3.0 | 75 | 1420 | 2.9 | 76 | 1480 | 2.9 | 77 | 1584 | 2.5 | 89 | 1584 | 2.7 | 79 |
| 75.0 | 370 | 3.1 | 72 | 1420 | 3.0 | 72 | 1480 | 3.0 | 73 | 1584 | 2.6 | 86 | 1584 | 2.8 | 76 |
| 87.5 | 370 | 3.6 | 67 | 1420 | 3.5 | 68 | 1480 | 3.3 | 68 | 1584 | 2.6 | 82 | 1584 | 3.0 | 71 |
| 100.0 | 370 | 4.1 | 63 | 1480 | 2.7 | 84 | 1480 | 3.8 | 64 | 1584 | 2.8 | 78 | 1584 | 3.5 | 67 |
| 112.5 | 1420 | 2.8 | 79 | 1480 | 2.7 | 81 | 1584 | 2.4 | 89 | 1584 | 3.0 | 75 | 1584 | 4.6 | 61 |
| 125.0 | 1420 | 2.9 | 76 | 1480 | 2.8 | 77 | 1584 | 2.6 | 87 | 1584 | 3.0 | 71 | 1660 | 2.7 | 79 |
| 137.5 | 1420 | 3.0 | 72 | 1480 | 2.9 | 74 | 1584 | 2.8 | 85 | 1584 | 3.3 | 68 | 1660 | 2.8 | 76 |
| 150.0 | 1420 | 3.2 | 70 | 1480 | 3.1 | 72 | 1584 | 2.6 | 82 | 1584 | 3.7 | 66 | 1660 | 3.1 | 73 |
| 175.0 | 1420 | 3.7 | 65 | 1480 | 3.5 | 67 | 1584 | 2.8 | 77 | 1660 | 2.8 | 80 | 1660 | 3.3 | 69 |
| 200.0 | 1480 | 2.7 | 82 | 1584 | 2.6 | 91 | 1584 | 3.0 | 73 | 1660 | 2.9 | 76 | 1660 | 3.8 | 65 |
| 225.0 | 1480 | 2.8 | 78 | 1584 | 2.5 | 88 | 1584 | 3.2 | 69 | 1660 | 3.0 | 72 | 1660 | 4.2 | 61 |
| 250.0 | 1480 | 3.0 | 75 | 1584 | 2.7 | 86 | 1584 | 3.6 | 66 | 1660 | 3.3 | 69 | 2760 | 2.8 | 80 |
| 275.0 | 1480 | 3.1 | 72 | 1584 | 2.7 | 83 | 1660 | 2.6 | 82 | 2760 | 2.6 | 87 | 2760 | 2.9 | 77 |
| 300.0 | 1480 | 3.3 | 69 | 1584 | 2.7 | 81 | 1660 | 2.8 | 80 | 2760 | 2.8 | 85 | 2760 | 3.0 | 74 |
| 325.0 | 1584 ^② | 2.6 | 93 | 1584 | 2.8 | 78 | 1660 | 2.8 | 77 | 2760 | 2.6 | 82 | 2760 | 3.0 | 71 |
| 350.0 | 1584 ^② | 2.6 | 92 | 1584 | 2.9 | 76 | 1660 | 3.0 | 75 | 2760 | 2.7 | 80 | 2760 | 3.2 | 69 |
| 375.0 | 1584 ^② | 2.7 | 91 | 1584 | 3.0 | 74 | 1660 | 3.1 | 73 | 2760 | 2.8 | 78 | 2760 | 3.5 | 67 |
| 400.0 | 1584 ^② | 2.5 | 89 | 1584 | 3.1 | 72 | 1660 | 3.1 | 71 | 2760 | 2.8 | 76 | 2760 | 3.7 | 65 |
| 425.0 | 1584 ^② | 2.6 | 88 | 1584 | 3.2 | 70 | 1660 | 3.3 | 69 | 2760 | 3.0 | 74 | 2760 | 4.0 | 63 |
| 450.0 | 1584 ^② | 2.6 | 86 | 1660 ^② | 2.6 | 86 | 1660 | 3.5 | 67 | 2760 | 3.0 | 72 | 2870 | 3.8 | 67 |
| 475.0 | 1584 ^② | 2.8 | 85 | 1660 ^② | 2.8 | 85 | 1660 | 3.6 | 65 | 2760 | 3.1 | 71 | 2870 | 3.8 | 66 |
| 500.0 | 1584 ^② | 2.6 | 83 | 1660 ^② | 2.8 | 84 | 2760 | 2.7 | 85 | 2760 | 3.2 | 69 | 2870 | 3.8 | 65 |
| 550.0 | 1584 ^② | 2.7 | 81 | 1660 ^② | 2.7 | 81 | 2760 | 2.7 | 83 | ⑤ | ⑤ | ⑤ | 2870 | 3.9 | 62 |
| 600.0 | 1584 ^② | 2.8 | 78 | 1660 ^② | 2.8 | 78 | 2760 | 2.7 | 80 | ⑤ | ⑤ | ⑤ | 2870 | 4.0 | 61 |
| 650.0 | 1660 ^② | 2.7 | 92 | 2760 | 2.7 | 94 | 2760 | 2.8 | 78 | ⑤ | ⑤ | ⑤ | 2870 | 4.3 | 60 |
| 700.0 | 1660 ^② | 2.4 | 90 | 2760 | 2.6 | 92 | 2760 | 2.9 | 75 | ⑤ | ⑤ | ⑤ | ⑤ | ⑤ | ⑤ |
| 750.0 | 1660 ^② | 2.6 | 89 | 2760 | 2.6 | 91 | 2760 | 3.0 | 73 | ⑤ | ⑤ | ⑤ | ⑤ | ⑤ | ⑤ |
| 800.0 | 1660 ^② | 2.5 | 86 | 2760 | 2.4 | 89 | 2870 | 3.8 | 74 | ⑤ | ⑤ | ⑤ | — | — | — |
| 850.0 | 2760 | 2.3 | 99 | 2760 | 2.6 | 88 | 2870 | 3.8 | 73 | ⑤ | ⑤ | ⑤ | — | — | — |
| 900.0 | 2760 | 2.4 | 98 | 2760 | 2.7 | 87 | 2870 | 3.8 | 72 | ⑤ | ⑤ | ⑤ | — | — | — |
| 950.0 | 2760 | 2.4 | 97 | 2760 | 2.7 | 85 | ⑤ | ⑤ | ⑤ | — | — | — | — | — | — |
| 1000.0 | 2760 | 2.6 | 97 | 2870 | 4.0 | 84 | ⑤ | ⑤ | ⑤ | — | — | — | — | — | — |
| 1100.0 | 2760 ^④ | 2.3 | 94 | 2870 | 3.6 | 81 | ⑤ | ⑤ | ⑤ | — | — | — | — | — | — |
| 1200.0 | 2760 ^④ | 2.3 | 92 | — | — | — | — | — | — | — | — | — | — | — | — |
| 1250.0 | 2760 ^④ | 2.2 | 91 | — | — | — | — | — | — | — | — | — | — | — | — |

① Selections above the **BOLD** line are HFN. Selections below the **BOLD** line are HFD.

② For these 1584HFD and 1660HFD selections, see **page 13** for Availability Table (by Basic Type and Mounting Arrangement). Choose a mounting arrangement with adequate allowable speed for the application.

③ Start Factor 140% for belt conveyors is the average starting torque exerted by the fluid coupling during load acceleration, expressed as a percent of running load torque.

④ Based on 150% Start Factor.

⑤ Refer to the Factory.

Quick Selection — HFDD for Belt Conveyors

Quick Selection Table 1775-1170 RPM Input Speed

| Load HP | Start Factor 120% for Belt Conveyors ② | | | | | | | | | | | |
|---------|--|--------|------------|------------------------|---------------|--------|------------|------------------------|---------------|--------|------------|------------------------|
| | 1775 RPM | | | | 1450 RPM | | | | 1170 RPM | | | |
| | Coupling Size | % Slip | Fill Angle | Initial Start Factor ③ | Coupling Size | % Slip | Fill Angle | Initial Start Factor ③ | Coupling Size | % Slip | Fill Angle | Initial Start Factor ③ |
| 35.0 | — | — | — | — | — | — | — | — | 1420 | 3.2 | 91 | 0.60 |
| 40.0 | — | — | — | — | — | — | — | — | 1420 | 3.5 | 89 | 0.55 |
| 45.0 | — | — | — | — | — | — | — | — | 1420 | 3.8 | 86 | 0.54 |
| 50.0 | — | — | — | — | — | — | — | — | 1420 | 4.1 | 84 | 0.54 |
| 55.0 | — | — | — | — | — | — | — | — | 1420 | 4.8 | 82 | 0.53 |
| 60.0 | — | — | — | — | — | — | — | — | 1420 | 5.0 | 80 | 0.52 |
| 67.5 | — | — | — | — | 1420 | 3.1 | 91 | 0.55 | 1480 | 3.2 | 92 | 0.58 |
| 75.0 | — | — | — | — | 1420 | 3.3 | 90 | 0.52 | 1480 | 3.4 | 89 | 0.56 |
| 87.5 | — | — | — | — | 1420 | 3.7 | 86 | 0.53 | 1480 | 3.8 | 85 | 0.59 |
| 100.0 | — | — | — | — | 1420 | 4.1 | 83 | 0.53 | 1480 | 4.3 | 82 | 0.60 |
| 112.5 | — | — | — | — | 1420 | 4.9 | 81 | 0.52 | 1480 | 5.0 | 78 | 0.60 |
| 125.0 | 1420 | 3.3 | 90 | 0.58 | 1480 | 3.3 | 94 | 0.48 | 1584 | 3.3 | 98 | 0.49 |
| 137.5 | 1420 | 3.5 | 88 | 0.58 | 1480 | 3.2 | 91 | 0.52 | 1584 | 3.3 | 96 | 0.48 |
| 150.0 | 1420 | 3.7 | 86 | 0.58 | 1480 | 3.3 | 88 | 0.55 | 1584 | 3.3 | 94 | 0.48 |
| 175.0 | 1420 | 4.3 | 83 | 0.57 | 1480 | 3.8 | 85 | 0.54 | 1584 | 3.3 | 91 | 0.58 |
| 200.0 | 1420 | 4.5 | 78 | 0.58 | 1480 | 4.3 | 81 | 0.74 | 1584 | 3.4 | 88 | 0.58 |
| 225.0 | 1480 | 3.2 | 92 | 0.56 | 1584 | 3.6 | 99 | 0.45 | 1584 | 3.7 | 83 | 0.66 |
| 250.0 | 1480 | 3.3 | 89 | 0.59 | 1584 | 3.4 | 98 | 0.45 | 1584 | 4.0 | 80 | 0.66 |
| 275.0 | 1480 | 3.5 | 87 | 0.59 | 1584 | 3.3 | 96 | 0.48 | 1584 | 4.5 | 77 | 0.66 |
| 300.0 | 1480 | 3.5 | 81 | 0.90 | 1584 | 3.3 | 95 | 0.48 | 1584 | 4.5 | 72 | 0.72 |
| 325.0 | 1584 ① | 3.3 | 102 | 0.46 | 1584 | 3.3 | 93 | 0.50 | 1660 | 3.3 | 90 | 0.62 |
| 350.0 | 1584 ① | 3.6 | 101 | 0.48 | 1584 | 3.1 | 90 | 0.56 | 1660 | 3.3 | 88 | 0.61 |
| 375.0 | 1584 ① | 3.6 | 100 | 0.50 | 1584 | 3.3 | 88 | 0.60 | 1660 | 3.4 | 86 | 0.60 |
| 400.0 | 1584 ① | 3.7 | 99 | 0.52 | 1584 | 3.3 | 86 | 0.62 | 1660 | 3.5 | 84 | 0.61 |
| 425.0 | 1584 ① | 3.5 | 98 | 0.53 | 1584 | 3.5 | 85 | 0.62 | 1660 | 3.7 | 82 | 0.67 |
| 450.0 | 1584 ① | 3.2 | 97 | 0.54 | 1584 | 3.4 | 80 | 0.68 | 1660 | 3.7 | 79 | 0.70 |
| 475.0 | 1584 ① | 3.2 | 96 | 0.55 | 1660 ① | 3.1 | 97 | 0.47 | 2760 | 3.4 | 99 | 0.43 |
| 500.0 | 1584 ① | 3.3 | 95 | 0.56 | 1660 ① | 3.2 | 96 | 0.49 | 2760 | 3.3 | 97 | 0.53 |
| 550.0 | 1660 ① | 3.1 | 103 | 0.50 | 1660 ① | 3.3 | 94 | 0.48 | 2760 | 3.2 | 95 | 0.56 |
| 600.0 | 1660 ① | 3.3 | 102 | 0.53 | 1660 ① | 3.0 | 89 | 0.66 | 2760 | 3.2 | 93 | 0.58 |
| 650.0 | 1660 ① | 2.9 | 100 | 0.53 | 2760 | 3.3 | 104 | 0.40 | 2760 | 3.2 | 92 | 0.57 |
| 700.0 | 1660 ① | 2.6 | 97 | 0.54 | 2760 | 3.3 | 103 | 0.40 | 2760 | 3.2 | 91 | 0.56 |
| 750.0 | 1660 ① | 2.6 | 95 | 0.55 | 2760 | 3.1 | 101 | 0.46 | 2760 | 3.2 | 90 | 0.55 |
| 800.0 | 1660 ① | 2.1 | 91 | ④ | 2760 | 3.0 | 100 | 0.50 | 2870 | 2.9 | 87 | ④ |
| 850.0 | 1660 ① | 2.2 | 90 | ④ | 2760 | 3.0 | 98 | 0.54 | 2870 | 3.0 | 86 | ④ |
| 900.0 | 1660 ① | 2.1 | 89 | ④ | 2760 | 3.0 | 97 | 0.55 | 2870 | 3.0 | 85 | ④ |
| 950.0 | 2760 | 2.0 | 102 | ④ | 2870 | 2.7 | 93 | ④ | 2870 | 3.1 | 84 | ④ |
| 1000.0 | 2760 | 1.4 | 100 | ④ | 2870 | 2.7 | 92 | ④ | 2870 | 3.2 | 83 | ④ |
| 1100.0 | 2760 | 1.6 | 98 | ④ | 2870 | 2.7 | 91 | ④ | 2870 | 3.3 | 82 | ④ |
| 1200.0 | 2760 | 1.5 | 96 | ④ | 2870 | 2.7 | 90 | ④ | — | — | — | — |
| 1250.0 | 2760 | 1.4 | 95 | ④ | 2870 | 2.7 | 89 | ④ | — | — | — | — |
| 1300.0 | — | — | — | — | 2870 | 2.7 | 89 | ④ | — | — | — | — |
| 1400.0 | — | — | — | — | 2870 | 2.7 | 88 | ④ | — | — | — | — |
| 1500.0 | — | — | — | — | 2870 | 2.7 | 86 | ④ | — | — | — | — |

- ① For these 1584HFDD and 1660HFDD selections, see **page 13** for Availability Table (by Basic Type and Mounting Arrangement). Choose a mounting arrangement with adequate allowable speed for the application.
- ② Start Factor 120% for belt conveyors is the average starting torque exerted by the fluid coupling during load acceleration, expressed as a percent of running load torque.
- ③ Initial start factor for HFDD selections is the nominal torque applied at the inception of acceleration, expressed as a percent of running load torque. The low initial start factor assures an extra soft empty belt start on low inertia conveyors, yet is adequate to overcome the breakaway torque of the conveyor.
- ④ Refer to the Factory.

Quick Selection — General Duty (Other than Belt Conveyors)

Quick Selection Table 1775 RPM Input Speed

| Load HP | General Duty Start Factor ② | | | | | | | | | | | | | | | | | | | | | | | |
|---------|-----------------------------|--------|------------|---------------|--------|------------|---------------|--------|------------|---------------|--------|------------|---------------|--------|------------|---------------|--------|------------|---------------|--------|------------|-----------|-----|----|
| | 140% | | | | | | 170% | | | | | | 200% | | | | | | 250% | | | | | |
| | HFD | | | HFN/HFR ③ | | | HFD | | | HFN/HFR ③ | | | HFD | | | HFN/HFR ③ | | | HFD | | | HFN/HFR ③ | | |
| | Coupling Size | % Slip | Fill Angle | Coupling Size | % Slip | Fill Angle | Coupling Size | % Slip | Fill Angle | Coupling Size | % Slip | Fill Angle | Coupling Size | % Slip | Fill Angle | Coupling Size | % Slip | Fill Angle | Coupling Size | % Slip | Fill Angle | | | |
| 1.00 | - | - | - | 185 | 6.7 | 88 | - | - | - | 185 | 4.6 | 84 | - | - | - | 185 | 3.1 | 80 | - | - | - | 185 | 1.8 | 76 |
| 1.25 | - | - | - | 185 | 5.9 | 82 | - | - | - | 185 | 4.0 | 79 | - | - | - | 185 | 2.6 | 76 | - | - | - | 185 | 1.8 | 73 |
| 1.50 | - | - | - | 185 | 6.2 | 80 | - | - | - | 185 | 3.7 | 76 | - | - | - | 185 | 2.4 | 73 | - | - | - | 185 | 1.7 | 69 |
| 1.75 | - | - | - | 185 | 5.3 | 76 | - | - | - | 185 | 3.3 | 73 | - | - | - | 185 | 2.6 | 71 | - | - | - | 185 | 1.9 | 66 |
| 2.00 | - | - | - | 185 | 5.2 | 75 | - | - | - | 185 | 3.4 | 71 | - | - | - | 185 | 2.7 | 68 | - | - | - | 185 | 2.1 | 63 |
| 2.50 | - | - | - | 185 | 5.5 | 71 | - | - | - | 185 | 4.0 | 67 | - | - | - | 185 | 3.2 | 63 | - | - | - | 185 | 2.4 | 53 |
| 3.00 | - | - | - | 185 | 6.4 | 67 | - | - | - | 185 | 4.6 | 62 | - | - | - | 185 | 3.7 | 55 | - | - | - | 235 | 2.0 | 78 |
| 4.00 | - | - | - | 235 | 5.6 | 81 | - | - | - | 235 | 4.2 | 80 | - | - | - | 235 | 2.9 | 77 | - | - | - | 235 | 1.7 | 73 |
| 5.00 | - | - | - | 235 | 5.8 | 79 | - | - | - | 235 | 3.7 | 76 | - | - | - | 235 | 2.5 | 73 | - | - | - | 235 | 1.7 | 69 |
| 6.25 | - | - | - | 235 | 4.7 | 75 | - | - | - | 235 | 3.5 | 72 | - | - | - | 235 | 2.6 | 69 | - | - | - | 235 | 1.9 | 64 |
| 7.50 | - | - | - | 235 | 5.2 | 72 | - | - | - | 235 | 3.6 | 69 | - | - | - | 235 | 2.8 | 65 | - | - | - | 235 | 2.2 | 58 |
| 8.75 | - | - | - | 235 | 5.1 | 69 | - | - | - | 235 | 4.3 | 66 | - | - | - | 235 | 3.2 | 61 | - | - | - | 270 | 1.8 | 66 |
| 10.0 | - | - | - | 235 | 6.6 | 67 | - | - | - | 235 | 4.7 | 62 | - | - | - | 235 | 3.7 | 55 | - | - | - | 270 | 2.0 | 64 |
| 12.5 | - | - | - | 270 | 3.2 | 71 | - | - | - | 235 | 5.6 | 50 | - | - | - | 270 | 2.6 | 64 | - | - | - | 270 | 2.1 | 59 |
| 15.0 | - | - | - | 270 | 3.7 | 67 | - | - | - | 270 | 3.2 | 63 | - | - | - | 270 | 2.9 | 60 | - | - | - | 270 | 2.3 | 53 |
| 17.5 | - | - | - | 270 | 4.3 | 64 | - | - | - | 270 | 3.9 | 60 | - | - | - | 270 | 3.3 | 56 | - | - | - | 320 | 1.6 | 69 |
| 20.0 | - | - | - | 270 | 5.7 | 62 | - | - | - | 270 | 4.6 | 57 | - | - | - | 320 | 2.1 | 71 | - | - | - | 320 | 1.7 | 67 |
| 22.5 | - | - | - | 270 | 7.0 | 59 | - | - | - | 270 | 4.8 | 52 | - | - | - | 320 | 2.1 | 69 | - | - | - | 320 | 2.0 | 65 |
| 25.0 | - | - | - | 320 | 3.5 | 75 | 370 | 1.7 | 94 | 320 | 2.5 | 70 | 370 | 1.1 | 87 | 320 | 2.3 | 67 | 370 | 0.8 | 79 | 320 | 2.1 | 63 |
| 27.5 | 370 | 2.9 | 98 | 320 | 3.2 | 72 | 370 | 1.3 | 89 | 320 | 2.6 | 68 | 370 | 1.2 | 83 | 320 | 2.5 | 65 | 370 | 0.9 | 76 | 320 | 2.2 | 61 |
| 30.0 | 370 | 2.3 | 94 | 320 | 3.0 | 70 | 370 | 1.4 | 86 | 320 | 2.8 | 66 | 370 | 1.0 | 80 | 320 | 2.6 | 63 | 370 | 0.9 | 74 | 320 | 2.2 | 59 |
| 35.0 | 370 | 1.8 | 87 | 320 | 3.7 | 67 | 370 | 1.3 | 80 | 320 | 3.3 | 64 | 370 | 1.1 | 75 | 320 | 2.9 | 60 | 370 | 0.9 | 70 | 320 | 2.3 | 53 |
| 40.0 | 370 | 1.9 | 82 | 320 | 4.2 | 65 | 370 | 1.5 | 76 | 320 | 3.8 | 61 | 370 | 1.2 | 72 | 320 | 3.3 | 57 | 370 | 1.0 | 67 | 370 | 1.7 | 67 |
| 45.0 | 370 | 1.8 | 78 | 320 | 5.1 | 62 | 370 | 1.5 | 73 | 320 | 4.4 | 58 | 370 | 1.2 | 70 | 320 | 3.4 | 52 | 370 | 1.2 | 65 | 370 | 1.9 | 65 |
| 50.0 | 370 | 1.9 | 75 | 370 | 3.3 | 75 | 370 | 1.6 | 70 | 320 | 4.8 | 55 | 370 | 1.4 | 67 | 370 | 2.2 | 67 | 370 | 1.3 | 63 | 370 | 2.0 | 63 |
| 55.0 | 370 | 2.0 | 73 | 370 | 3.4 | 73 | 370 | 1.7 | 69 | 370 | 2.6 | 69 | 370 | 1.6 | 66 | 370 | 2.4 | 66 | 370 | 1.5 | 61 | 370 | 2.1 | 61 |
| 60.0 | 370 | 2.1 | 71 | 370 | 3.2 | 71 | 370 | 1.9 | 67 | 370 | 2.7 | 67 | 370 | 1.8 | 64 | 370 | 2.6 | 64 | 370 | 1.7 | 60 | 370 | 2.2 | 60 |
| 67.5 | 370 | 2.3 | 69 | 370 | 3.3 | 69 | 370 | 2.3 | 65 | 370 | 3.1 | 65 | 370 | 2.1 | 62 | 370 | 2.8 | 62 | 370 | 1.8 | 56 | 370 | 2.2 | 56 |
| 75.0 | 370 | 2.7 | 67 | 370 | 4.0 | 67 | 370 | 2.6 | 63 | 370 | 3.4 | 63 | 370 | 2.5 | 60 | 370 | 3.1 | 60 | 370 | 1.8 | 51 | 370 | 2.2 | 51 |
| 87.5 | 370 | 3.3 | 64 | 370 | 4.7 | 64 | 370 | 3.1 | 60 | 370 | 4.2 | 60 | 370 | 2.6 | 55 | 370 | 3.4 | 55 | 1420 | 1.2 | 65 | 1420 | 1.9 | 65 |
| 100.0 | 370 | 3.9 | 61 | 1420 | 3.3 | 74 | 370 | 3.4 | 56 | 370 | 4.7 | 56 | 1420 | 1.6 | 66 | 1420 | 2.3 | 66 | 1420 | 1.4 | 62 | 1420 | 2.1 | 62 |
| 112.5 | 1420 | 2.1 | 71 | 1420 | 3.2 | 71 | 1420 | 1.9 | 67 | 1420 | 2.7 | 67 | 1420 | 1.8 | 64 | 1420 | 2.6 | 64 | 1420 | 1.7 | 60 | 1420 | 2.2 | 60 |
| 125.0 | 1420 | 2.3 | 69 | 1420 | 3.3 | 69 | 1420 | 2.2 | 65 | 1420 | 3.1 | 65 | 1420 | 2.1 | 62 | 1420 | 2.7 | 62 | 1420 | 1.8 | 57 | 1420 | 2.3 | 57 |
| 137.5 | 1420 | 2.6 | 67 | 1420 | 3.8 | 67 | 1420 | 2.4 | 63 | 1420 | 3.3 | 63 | 1420 | 2.3 | 60 | 1420 | 2.9 | 60 | 1420 | 1.8 | 53 | 1420 | 2.3 | 53 |
| 150.0 | 1420 | 2.9 | 65 | 1420 | 4.0 | 65 | 1420 | 2.8 | 62 | 1420 | 3.7 | 62 | 1420 | 2.5 | 58 | 1420 | 3.2 | 58 | 1480 | 1.1 | 67 | 1480 | 1.7 | 67 |
| 175.0 | 1420 | 3.5 | 62 | 1420 | 5.1 | 62 | 1420 | 3.2 | 58 | 1420 | 4.4 | 58 | 1420 | 2.7 | 52 | 1420 | 3.4 | 52 | 1480 | 1.3 | 64 | 1480 | 2.0 | 64 |
| 200.0 | 1480 | 2.0 | 73 | 1480 | 3.3 | 73 | 1420 | 3.6 | 54 | 1480 | 2.5 | 69 | 1480 | 1.6 | 66 | 1480 | 2.4 | 66 | 1480 | 1.5 | 62 | 1480 | 2.1 | 62 |
| 225.0 | 1480 | 2.2 | 71 | 1480 | 3.2 | 71 | 1480 | 1.9 | 67 | 1480 | 2.8 | 67 | 1480 | 1.9 | 64 | 1480 | 2.7 | 64 | 1480 | 1.7 | 59 | 1480 | 2.2 | 59 |
| 250.0 | 1480 | 2.3 | 68 | 1480 | 3.4 | 68 | 1480 | 2.3 | 65 | 1480 | 3.2 | 65 | 1480 | 2.1 | 62 | 1480 | 2.8 | 62 | 1480 | 1.8 | 56 | 1480 | 2.3 | 56 |
| 275.0 | 1480 | 2.7 | 67 | - | - | - | 1480 | 2.5 | 63 | 1480 | 3.4 | 63 | 1480 | 2.4 | 60 | 1480 | 3.1 | 60 | 1480 | 1.8 | 51 | 1480 | 2.2 | 51 |
| 300.0 | 1480 | 3.0 | 65 | - | - | - | 1480 | 2.8 | 61 | 1584 ① | 5.4 | 85 | 1480 | 2.5 | 57 | 1480 | 3.2 | 57 | 1584 ① | 0.9 | 73 | 1584 ① | 1.4 | 73 |
| 325.0 | 1584 ① | 1.8 | 90 | - | - | - | 1480 | 3.0 | 59 | 1584 ① | 4.9 | 82 | 1480 | 2.7 | 55 | 1584 ① | 2.7 | 77 | 1584 ① | 0.9 | 71 | 1584 ① | 1.5 | 71 |
| 350.0 | 1584 ① | 1.9 | 87 | - | - | - | 1584 ① | 1.4 | 80 | 1584 ① | 3.7 | 80 | 1480 | 2.6 | 50 | 1584 ① | 1.8 | 75 | 1584 ① | 0.9 | 70 | 1584 ① | 1.6 | 70 |
| 375.0 | 1584 ① | 2.0 | 84 | - | - | - | 1584 ① | 1.4 | 77 | 1584 ① | 3.3 | 77 | 1584 ① | 1.2 | 73 | 1584 ① | 1.9 | 73 | 1584 ① | 1.0 | 68 | 1584 ① | 1.6 | 68 |
| 400.0 | 1584 ① | 1.9 | 82 | - | - | - | 1584 ① | 1.5 | 76 | 1584 ① | 3.1 | 76 | 1584 ① | 1.2 | 72 | 1584 ① | 2.1 | 72 | 1584 ① | 1.1 | 67 | 1584 ① | 1.7 | 67 |
| 425.0 | 1584 ① | 1.8 | 80 | - | - | - | 1584 ① | 1.5 | 74 | 1584 ① | 2.4 | 74 | 1584 ① | 1.2 | 70 | 1584 ① | 2.0 | 70 | 1584 ① | 1.2 | 66 | 1584 ① | 1.8 | 66 |
| 450.0 | 1584 ① | 1.9 | 78 | - | - | - | 1584 ① | 1.5 | 73 | 1584 ① | 2.5 | 73 | 1584 ① | 1.3 | 69 | 1584 ① | 2.1 | 69 | 1584 ① | 1.2 | 65 | 1584 ① | 1.9 | 65 |
| 475.0 | 1584 ① | 1.9 | 76 | - | - | - | 1584 ① | 1.5 | 71 | 1584 ① | 2.6 | 71 | 1584 ① | 1.4 | 68 | 1584 ① | 2.1 | 68 | 1584 ① | 1.3 | 64 | 1584 ① | 2.0 | 64 |
| 500.0 | 1584 ① | 2.0 | 75 | - | - | - | 1584 ① | 1.5 | 70 | 1584 ① | 2.4 | 70 | 1584 ① | 1.5 | 67 | 1584 ① | 2.2 | 67 | 1584 ① | 1.4 | 63 | 1584 ① | 2.1 | 63 |
| 550.0 | 1584 ① | 2.0 | 72 | - | - | - | 1584 ① | 1.7 | 68 | 1584 ① | 2.6 | 68 | 1584 ① | 1.7 | 65 | 1584 ① | 2.5 | 65 | 1584 ① | 1.5 | 61 | 1584 ① | 2.1 | 61 |
| 600.0 | 1584 ① | 2.2 | 71 | - | - | - | 1584 ① | 1.9 | 67 | 1584 ① | 2.8 | 67 | 1584 ① | 1.9 | 64 | 1584 ① | 2.7 | 64 | 1584 ① | 1.7 | 59 | 1584 ① | 2.2 | 59 |
| 650.0 | 1584 ① | 2.3 | 69 | - | - | - | 1584 ① | 2.2 | 65 | 1660 ① | 3.1 | 78 ④ | 1584 ① | 2.1 | 62 | 1660 ① | 1.8 | 75 | 1584 ① | 1.8 | 57 | 1584 ① | 2.3 | 57 |
| 700.0 | 1660 ① | 2.0 | 84 | - | - | - | 1584 ① | 2.4 | 64 | 1660 ① | 2.9 | 76 ④ | 1584 ① | 2.3 | 61 | 1660 ① | 1.9 | 73 | 1584 ① | 1.8 | 54 | 1584 ① | 2.3 | 54 |
| 750.0 | 1660 ① | 1.9 | 81 | - | - | - | 1660 ① | 1.4 | 75 | 1660 ① | 2.4 | 75 | 1660 ① | 1.2 | 71 | 1660 ① | 2.1 | 71 | 1660 ① | 1.1 | 67 | 1660 ① | 1.8 | 67 |
| 800.0 | 1660 ① | 1.9 | 79 | - | - | - | 1660 ① | 1.5 | 73 | 1660 ① | 2.4 | 73 | 1660 ① | 1.2 | 70 ① | 1660 ① | 2.1 | 70 | 1660 ① | 1.2 | 66 | 1660 ① | 1.9 | 66 |
| 850.0 | 1660 ① | 1.9 | 77 | - | - | - | 1660 ① | 1.5 | 72 | - | - | - | 1660 ① | 1.3 | 69 | 1660 ① | 2.2 | 69 | 1660 ① | 1.2 | 64 | 1660 ① | 1.9 | 64 |
| 900.0 | 1660 ① | 1.9 | 75 | - | - | - | 1660 ① | 1.6 | 71 | - | - | - | 1660 ① | 1.4 | 68 | 1660 ① | 2.2 | 68 | 1660 ① | 1.3 | 63 | 1660 ① | 2.0 | 63 |
| 950.0 | 2760 | 2.7 | 99 | - | - | - | 2760 | 1.5 | 92 | - | - | - | 2760 | 1.3 | 85 | - | - | - | 2760 | 0.8 | 78 | 1660 ① | 2.1 | 62 |
| 1000.0 | 2760 | 2.8 | 98 | - | - | - | 2760 | 1.3 | 90 | - | - | - | 2760 | 1.2 | 83 | - | - | - | 2760 | 0.9 | 76 | - | - | - |
| 1100.0 | 2760 | 2.3 | 94 | - | - | - | 2760 | 1.4 | 86 | - | - | - | 2760 | 1.0 | 80 | - | - | - | 2760 | 0.9 | 74 | - | - | - |
| 1200.0 | 2760 | 1.8 | 90 | - | - | - | 2760 | 1.5 | 83 | - | - | - | 2760 | 1.2 | 77 | - | - | - | 2760 | 0.9 | 71 | - | - | - |
| 1300.0 | 2760 | 1.9 | 87 | - | - | - | 2760 | | | | | | | | | | | | | | | | | |

Quick Selection — General Duty (Other than Belt Conveyors)

Quick Selection Table 1450 RPM Input Speed

| Load HP | General Duty Start Factor ② | | | | | | | | | | | | | | | | | | | | | | | |
|---------|-----------------------------|--------|------------|---------------|--------|------------|---------------|--------|------------|---------------|--------|------------|---------------|--------|------------|---------------|--------|------------|---------------|--------|------------|---------------|--------|------------|
| | 140% | | | | | | 170% | | | | | | 200% | | | | | | 250% | | | | | |
| | HFD | | | HFN/HFR ③ | | | HFD | | | HFN/HFR ③ | | | HFD | | | HFN/HFR ③ | | | HFD | | | HFN/HFR ③ | | |
| | Coupling Size | % Slip | Fill Angle | Coupling Size | % Slip | Fill Angle | Coupling Size | % Slip | Fill Angle | Coupling Size | % Slip | Fill Angle | Coupling Size | % Slip | Fill Angle | Coupling Size | % Slip | Fill Angle | Coupling Size | % Slip | Fill Angle | Coupling Size | % Slip | Fill Angle |
| 1.00 | - | - | - | 185 | 5.5 | 76 | - | - | - | 185 | 3.7 | 73 | - | - | - | 185 | 2.6 | 70 | - | - | - | 185 | 1.9 | 65 |
| 1.25 | - | - | - | 185 | 5.9 | 72 | - | - | - | 185 | 3.7 | 69 | - | - | - | 185 | 2.9 | 65 | - | - | - | 185 | 2.2 | 58 |
| 1.50 | - | - | - | 185 | 5.6 | 69 | - | - | - | 185 | 4.3 | 65 | - | - | - | 185 | 3.2 | 60 | - | - | - | 235 | 2.3 | 80 |
| 1.75 | - | - | - | 185 | 7.4 | 65 | - | - | - | 185 | 4.7 | 60 | - | - | - | 185 | 3.7 | 50 | - | - | - | 235 | 2.0 | 77 |
| 2.00 | - | - | - | 185 | 7.1 | 60 | - | - | - | 185 | 5.6 | 53 | - | - | - | 235 | 3.3 | 79 | - | - | - | 235 | 1.8 | 75 |
| 2.50 | - | - | - | 235 | 5.5 | 80 | - | - | - | 235 | 3.7 | 77 | - | - | - | 235 | 2.7 | 75 | - | - | - | 235 | 1.7 | 71 |
| 3.00 | - | - | - | 235 | 6.3 | 78 | - | - | - | 235 | 3.4 | 74 | - | - | - | 235 | 2.7 | 72 | - | - | - | 235 | 1.8 | 67 |
| 4.00 | - | - | - | 235 | 5.6 | 73 | - | - | - | 235 | 3.5 | 69 | - | - | - | 235 | 3.0 | 66 | - | - | - | 235 | 2.1 | 59 |
| 5.00 | - | - | - | 235 | 5.7 | 69 | - | - | - | 235 | 4.2 | 64 | - | - | - | 235 | 3.3 | 59 | - | - | - | 270 | 1.9 | 66 |
| 6.25 | - | - | - | 270 | 3.5 | 73 | - | - | - | 270 | 2.6 | 68 | - | - | - | 270 | 2.4 | 66 | - | - | - | 270 | 2.1 | 61 |
| 7.50 | - | - | - | 270 | 3.3 | 69 | - | - | - | 270 | 3.1 | 65 | - | - | - | 270 | 2.8 | 62 | - | - | - | 270 | 2.3 | 57 |
| 8.75 | - | - | - | 270 | 4.1 | 66 | - | - | - | 270 | 3.5 | 62 | - | - | - | 270 | 3.2 | 59 | - | - | - | 320 | 1.5 | 71 |
| 10.0 | - | - | - | 270 | 4.7 | 63 | - | - | - | 270 | 4.1 | 59 | - | - | - | 270 | 3.4 | 54 | - | - | - | 320 | 1.7 | 69 |
| 12.5 | - | - | - | 270 | 7.4 | 59 | - | - | - | 270 | 4.8 | 51 | - | - | - | 320 | 2.2 | 69 | - | - | - | 320 | 1.9 | 64 |
| 15.0 | 370 | 2.9 | 98 | 320 | 3.2 | 72 | 370 | 1.3 | 89 | 320 | 2.6 | 68 | 370 | 1.2 | 83 | 320 | 2.5 | 65 | 370 | 0.9 | 76 | 320 | 2.2 | 61 |
| 17.5 | 370 | 2.0 | 91 | 320 | 3.3 | 69 | 370 | 1.5 | 83 | 320 | 3.1 | 65 | 370 | 1.1 | 78 | 320 | 2.7 | 62 | 370 | 0.9 | 72 | 320 | 2.3 | 57 |
| 20.0 | 370 | 1.9 | 86 | 320 | 3.8 | 66 | 370 | 1.4 | 79 | 320 | 3.5 | 63 | 370 | 1.1 | 74 | 320 | 3.0 | 59 | 370 | 0.9 | 69 | 320 | 2.2 | 50 |
| 22.5 | 370 | 1.8 | 81 | 320 | 4.4 | 64 | 370 | 1.4 | 75 | 320 | 4.0 | 60 | 370 | 1.2 | 71 | 320 | 3.4 | 56 | 370 | 1.1 | 67 | 370 | 1.7 | 67 |
| 25.0 | 370 | 1.9 | 78 | 320 | 5.4 | 62 | 370 | 1.5 | 73 | 320 | 4.6 | 58 | 370 | 1.3 | 69 | 320 | 3.3 | 50 | 370 | 1.2 | 65 | 370 | 1.9 | 65 |
| 27.5 | 370 | 1.9 | 75 | 370 | 3.4 | 75 | 370 | 1.6 | 71 | 320 | 4.7 | 54 | 370 | 1.4 | 67 | 370 | 2.2 | 67 | 370 | 1.3 | 63 | 370 | 2.0 | 63 |
| 30.0 | 370 | 2.0 | 73 | 370 | 3.4 | 73 | 370 | 1.7 | 69 | 370 | 2.6 | 69 | 370 | 1.6 | 66 | 370 | 2.4 | 66 | 370 | 1.5 | 61 | 370 | 2.1 | 61 |
| 35.0 | 370 | 2.2 | 70 | 370 | 3.1 | 70 | 370 | 2.1 | 66 | 370 | 3.0 | 66 | 370 | 2.0 | 63 | 370 | 2.7 | 63 | 370 | 1.7 | 58 | 370 | 2.2 | 58 |
| 40.0 | 370 | 2.6 | 67 | 370 | 3.8 | 67 | 370 | 2.5 | 63 | 370 | 3.3 | 63 | 370 | 2.4 | 60 | 370 | 3.0 | 60 | 370 | 1.8 | 53 | 370 | 2.3 | 53 |
| 45.0 | 370 | 3.1 | 65 | 370 | 4.2 | 65 | 370 | 2.9 | 61 | 370 | 3.8 | 61 | 370 | 2.6 | 57 | 370 | 3.3 | 57 | 1420 | 1.2 | 66 | 1420 | 1.9 | 66 |
| 50.0 | 370 | 3.5 | 63 | 370 | 5.1 | 63 | 370 | 3.2 | 59 | 370 | 4.5 | 59 | 370 | 2.7 | 53 | 370 | 3.5 | 53 | 1420 | 1.3 | 64 | 1420 | 2.0 | 64 |
| 55.0 | 370 | 4.0 | 61 | 1420 | 3.4 | 74 | 370 | 3.5 | 56 | 370 | 4.8 | 56 | 1420 | 1.6 | 66 | 1420 | 2.3 | 66 | 1420 | 1.4 | 62 | 1420 | 2.1 | 62 |
| 60.0 | 1420 | 2.1 | 72 | 1420 | 3.4 | 72 | 370 | 3.5 | 51 | 370 | 4.7 | 51 | 1420 | 1.8 | 65 | 1420 | 2.6 | 65 | 1420 | 1.6 | 60 | 1420 | 2.1 | 60 |
| 67.5 | 1420 | 2.2 | 69 | 1420 | 3.2 | 69 | 1420 | 2.2 | 65 | 1420 | 3.0 | 65 | 1420 | 2.0 | 62 | 1420 | 2.7 | 62 | 1420 | 1.8 | 57 | 1420 | 2.2 | 57 |
| 75.0 | 1420 | 2.6 | 67 | 1420 | 3.8 | 67 | 1420 | 2.4 | 63 | 1420 | 3.3 | 63 | 1420 | 2.4 | 60 | 1420 | 2.9 | 60 | 1420 | 1.8 | 53 | 1420 | 2.3 | 53 |
| 87.5 | 1420 | 3.2 | 64 | 1420 | 4.4 | 64 | 1420 | 3.0 | 60 | 1420 | 3.9 | 60 | 1420 | 2.6 | 56 | 1420 | 3.4 | 56 | 1480 | 1.2 | 66 | 1480 | 1.8 | 66 |
| 100.0 | 1420 | 3.8 | 62 | 1480 | 3.3 | 75 | 1420 | 3.4 | 57 | 1420 | 4.7 | 57 | 1480 | 1.4 | 68 | 1480 | 2.2 | 68 | 1480 | 1.3 | 63 | 1480 | 2.0 | 63 |
| 112.5 | 1480 | 2.0 | 72 | 1480 | 3.2 | 72 | 1420 | 3.6 | 52 | 1420 | 4.9 | 52 | 1480 | 1.7 | 65 | 1480 | 2.5 | 65 | 1480 | 1.5 | 61 | 1480 | 2.1 | 61 |
| 125.0 | 1480 | 2.1 | 70 | 1480 | 3.0 | 70 | 1480 | 2.0 | 66 | 1480 | 2.8 | 66 | 1480 | 1.9 | 63 | 1480 | 2.6 | 63 | 1480 | 1.7 | 59 | 1480 | 2.2 | 59 |
| 137.5 | 1480 | 2.4 | 68 | 1480 | 3.5 | 68 | 1480 | 2.3 | 65 | 1480 | 3.2 | 65 | 1480 | 2.1 | 61 | 1480 | 2.8 | 61 | 1480 | 1.8 | 56 | 1480 | 2.3 | 56 |
| 150.0 | 1480 | 2.7 | 67 | 1480 | 4.0 | 67 | 1480 | 2.5 | 63 | 1480 | 3.4 | 63 | 1480 | 2.4 | 60 | 1480 | 3.1 | 60 | 1480 | 1.8 | 51 | 1480 | 2.2 | 51 |
| 175.0 | 1480 | 3.3 | 64 | 1480 | 4.6 | 64 | 1480 | 3.1 | 60 | 1480 | 4.2 | 60 | 1480 | 2.6 | 55 | 1480 | 3.4 | 55 | 1584 | 0.9 | 72 | 1584 | 1.6 | 72 |
| 200.0 | 1480 | 3.9 | 61 | 1584 | 7.3 | 83 ④ | 1480 | 3.4 | 56 | 1584 | 3.3 | 78 | 1584 | 1.2 | 74 | 1584 | 2.0 | 74 | 1584 | 1.0 | 69 | 1584 | 1.7 | 69 |
| 225.0 | 1584 | 1.9 | 81 | 1584 | 4.8 | 79 ④ | 1480 | 3.6 | 50 | 1584 | 2.5 | 75 | 1584 | 1.2 | 71 | 1584 | 2.2 | 71 | 1584 | 1.1 | 66 | 1584 | 1.8 | 66 |
| 250.0 | 1584 | 1.9 | 77 | 1584 | 4.3 | 77 | 1584 | 1.5 | 72 | 1584 | 2.5 | 72 | 1584 | 1.3 | 69 | 1584 | 2.2 | 69 | 1584 | 1.2 | 64 | 1584 | 1.9 | 64 |
| 275.0 | 1584 | 2.0 | 75 | 1584 | 3.5 | 75 | 1584 | 1.5 | 70 | 1584 | 2.4 | 70 | 1584 | 1.5 | 67 | 1584 | 2.3 | 67 | 1584 | 1.4 | 63 | 1584 | 2.1 | 63 |
| 300.0 | 1584 | 2.0 | 72 | 1584 | 3.2 | 72 | 1584 | 1.7 | 68 | 1584 | 2.6 | 68 | 1584 | 1.7 | 65 | 1584 | 2.5 | 65 | 1584 | 1.5 | 61 | 1584 | 2.1 | 61 |
| 325.0 | 1584 | 2.1 | 71 | 1584 | 3.2 | 71 | 1584 | 1.9 | 67 | 1584 | 2.8 | 67 | 1584 | 1.9 | 64 | 1584 | 2.7 | 64 | 1584 | 1.6 | 59 | 1584 | 2.2 | 59 |
| 350.0 | 1584 | 2.2 | 69 | 1584 | 3.2 | 69 | 1584 | 2.2 | 65 | 1584 | 3.0 | 65 | 1584 | 2.0 | 62 | 1584 | 2.7 | 62 | 1584 | 1.8 | 57 | 1584 | 2.2 | 57 |
| 375.0 | 1584 | 2.5 | 68 | 1584 | 3.6 | 68 | 1584 | 2.4 | 64 | 1584 | 3.2 | 64 | 1584 | 2.2 | 61 | 1584 | 2.9 | 61 | 1584 | 1.8 | 55 | 1584 | 2.3 | 55 |
| 400.0 | 1584 | 2.7 | 67 | 1584 | 3.6 | 65 ⑤ | 1584 | 2.6 | 63 | 1584 | 3.4 | 63 | 1584 | 2.5 | 60 | 1584 | 3.1 | 60 | 1584 | 1.8 | 51 | 1584 | 2.2 | 51 |
| 425.0 | 1584 | 2.9 | 65 | 1660 | 3.9 | 77 ⑤ | 1584 | 2.8 | 62 | 1660 ① | 2.4 | 74 | 1584 | 2.5 | 58 | 1584 | 3.2 | 58 | 1660 ① | 1.1 | 66 | 1660 ① | 1.8 | 66 |
| 450.0 | 1584 | 3.1 | 64 | 1660 | 2.8 | 75 ⑤ | 1584 | 3.0 | 61 | 1660 ① | 2.5 | 73 | 1584 | 2.6 | 56 | 1584 | 3.3 | 56 | 1660 ① | 1.2 | 65 | 1660 ① | 1.9 | 65 |
| 475.0 | 1660 ① | 1.9 | 76 | 1660 ① | 3.8 | 76 | 1584 | 3.0 | 59 | 1660 ① | 2.6 | 72 | 1584 | 2.6 | 54 | 1660 ① | 2.1 | 68 | 1660 ① | 1.3 | 64 | 1660 ① | 2.0 | 64 |
| 500.0 | 1660 ① | 2.0 | 75 | 1660 ① | 3.4 | 75 | 1660 ① | 1.5 | 70 | 1660 ① | 2.4 | 70 | 1584 | 2.6 | 51 | 1660 ① | 2.2 | 67 | 1660 ① | 1.4 | 63 | 1660 ① | 2.0 | 63 |
| 550.0 | 1660 ① | 2.1 | 73 | - | - | - | 1660 ① | 1.7 | 68 | 1660 ① | 2.6 | 68 | 1660 ① | 1.7 | 65 | 1660 ① | 2.5 | 65 | 1660 ① | 1.5 | 61 | 1660 ① | 2.1 | 61 |
| 600.0 | 1660 ① | 2.1 | 71 | - | - | - | 1660 ① | 1.9 | 67 | 1660 ① | 2.8 | 67 | 1660 ① | 1.9 | 64 | 1660 ① | 2.7 | 64 | 1660 ① | 1.6 | 59 | 1660 ① | 2.2 | 59 |
| 650.0 | 1660 ① | 2.3 | 69 | - | - | - | 1660 ① | 2.2 | 65 | 2760 | 4.0 | 81 ⑥ | 1660 ① | 2.0 | 62 | 1660 ① | 2.7 | 62 | 1660 ① | 1.8 | 57 | 1660 ① | 2.2 | 57 |
| 700.0 | 1660 ① | 2.5 | 68 | - | - | - | 1660 ① | 2.4 | 64 | 2760 | 3.6 | 80 | 1660 ① | 2.3 | 61 | 2760 | 1.8 | 75 | 1660 ① | 1.8 | 54 | 1660 ① | 2.3 | 54 |
| 750.0 | 2760 | 2.0 | 85 | - | - | - | 2760 | 1.4 | 78 | 2760 | 3.4 | 78 | 1660 ① | 2.4 | 59 | 2760 | 2.0 | 74 | 1660 ① | 1.8 | 50 | 1660 ① | 2.2 | 50 |
| 800.0 | 2760 | 1.9 | 82 | - | - | - | 2760 | 1.5 | 76 | 2760 | 3.0 | 76 | 2760 | 1.2 | 72 | 2760 | 2.1 | 72 | 2760 | 1.0 | 67 | 2760 | 1.7 | 67 |
| 850.0 | 2760 | 1.8 | 80 | - | - | - | 2760 | 1.4 | 74 | 2760 | 2.4 | 74 | 2760 | 1.3 | 71 | 2760 | 2.2 | 71 | 2760 | 1.1 | 66 | 2760 | 1.8 | 66 |
| 900.0 | 2760 | 1.9 | 78 | 2870 | 3.4 | 83 | 2760 | 1.5 | 73 | 2760 | 2.4 | 73 | 2760 | 1.2 | 69 | 2760 | 2.1 | 69 | 2760 | 1.2 | 65 | 2760 | 1.9 | 65 |
| 950.0 | 2760 | 1.9 | 77 | 2870 | 3.4 | 83 | 2760 | 1.6 | 72 | 2760 | 2.6 | 72 | 2760 | 1.3 | 68 | 2760 | 2.1 | 68 | 2760 | 1.3 | 64 | 2760 | 2.0 | 64 |
| 1000.0 | 2760 | 1.9 | 75 | 2870 | 3.5 | 81 | 2760 | 1.6 | 71 | 2870 | 3.2 | 78 | 2760 | 1.4 | 67 | 2760 | 2.2 | 67 | 2760 | 1.3 | 63 | 2760 | 2.0 | 63 |
| 1100.0 | 2760 | 2.0 | 73 | 2870 | 3.5 | 79 | 2760 | 1.7 | 69 | 2870 | 3.2 | 77 | 2760 | 1.6 | 66 | 2760 | 2.4 | 66 | 2760 | 1.5 | 61 | 2760 | 2.1 | 61 |

Quick Selection — General Duty (Other than Belt Conveyors)

Quick Selection Table 1170 RPM Input Speed

| Load HP | General Duty Start Factor ① | | | | | | | | | | | | | | | | | | | | | | | |
|---------|-----------------------------|--------|------------|---------------|--------|------------|---------------|--------|------------|---------------|--------|------------|---------------|--------|------------|---------------|--------|------------|---------------|--------|------------|---------------|--------|------------|
| | 140% | | | | | | 170% | | | | | | 200% | | | | | | 250% | | | | | |
| | HFD | | | HFN/HFR ② | | | HFD | | | HFN/HFR ② | | | HFD | | | HFN/HFR ② | | | HFD | | | HFN/HFR ② | | |
| | Coupling Size | % Slip | Fill Angle | Coupling Size | % Slip | Fill Angle | Coupling Size | % Slip | Fill Angle | Coupling Size | % Slip | Fill Angle | Coupling Size | % Slip | Fill Angle | Coupling Size | % Slip | Fill Angle | Coupling Size | % Slip | Fill Angle | Coupling Size | % Slip | Fill Angle |
| 1.00 | — | — | — | 235 | 6.0 | 86 | — | — | — | 235 | 4.1 | 82 | — | — | — | 235 | 3.0 | 79 | — | — | — | 235 | 2.0 | 76 |
| 1.25 | — | — | — | 235 | 5.9 | 80 | — | — | — | 235 | 3.9 | 78 | — | — | — | 235 | 2.9 | 76 | — | — | — | 235 | 1.7 | 72 |
| 1.50 | — | — | — | 235 | 6.3 | 79 | — | — | — | 235 | 3.4 | 75 | — | — | — | 235 | 2.4 | 72 | — | — | — | 235 | 1.8 | 68 |
| 1.75 | — | — | — | 235 | 4.7 | 75 | — | — | — | 235 | 3.7 | 73 | — | — | — | 235 | 2.6 | 70 | — | — | — | 235 | 1.9 | 65 |
| 2.00 | — | — | — | 235 | 5.3 | 74 | — | — | — | 235 | 3.3 | 70 | — | — | — | 235 | 2.9 | 67 | — | — | — | 235 | 2.1 | 61 |
| 2.50 | — | — | — | 235 | 5.3 | 70 | — | — | — | 235 | 4.3 | 66 | — | — | — | 235 | 3.2 | 61 | — | — | — | 270 | 1.8 | 66 |
| 3.00 | — | — | — | 235 | 7.0 | 66 | — | — | — | 235 | 4.5 | 60 | — | — | — | 235 | 3.7 | 51 | — | — | — | 270 | 2.0 | 63 |
| 4.00 | — | — | — | 270 | 3.3 | 69 | — | — | — | 270 | 3.1 | 65 | — | — | — | 270 | 2.8 | 62 | — | — | — | 270 | 2.2 | 56 |
| 5.00 | — | — | — | 270 | 4.3 | 64 | — | — | — | 270 | 3.9 | 60 | — | — | — | 270 | 3.3 | 56 | — | — | — | 320 | 1.6 | 69 |
| 6.25 | — | — | — | 270 | 6.9 | 60 | — | — | — | 270 | 4.8 | 54 | — | — | — | 320 | 2.1 | 69 | — | — | — | 320 | 1.9 | 65 |
| 7.50 | 370 | 2.9 | 100 | 320 | 3.3 | 73 | 370 | 1.4 | 91 | 320 | 2.5 | 69 | 370 | 1.3 | 85 | 320 | 2.4 | 66 | 370 | 0.8 | 77 | 320 | 2.1 | 62 |
| 8.75 | 370 | 2.2 | 93 | 320 | 3.1 | 70 | 370 | 1.6 | 85 | 320 | 2.9 | 66 | 370 | 1.1 | 79 | 320 | 2.7 | 63 | 370 | 0.9 | 73 | 320 | 2.2 | 58 |
| 10.0 | 370 | 1.9 | 88 | 320 | 3.7 | 67 | 370 | 1.3 | 80 | 320 | 3.3 | 64 | 370 | 1.1 | 75 | 320 | 2.9 | 60 | 370 | 0.9 | 70 | 320 | 2.4 | 54 |
| 12.5 | 370 | 1.8 | 79 | 320 | 4.9 | 63 | 370 | 1.5 | 74 | 320 | 4.3 | 59 | 370 | 1.2 | 70 | 320 | 3.5 | 54 | 370 | 1.2 | 66 | 370 | 1.8 | 66 |
| 15.0 | 370 | 2.0 | 74 | 370 | 3.3 | 74 | 370 | 1.6 | 70 | 320 | 4.7 | 52 | 370 | 1.5 | 67 | 370 | 2.3 | 67 | 370 | 1.4 | 62 | 370 | 2.0 | 62 |
| 17.5 | 370 | 2.2 | 71 | 370 | 3.2 | 71 | 370 | 1.9 | 67 | 370 | 2.8 | 67 | 370 | 1.9 | 64 | 370 | 2.7 | 64 | 370 | 1.7 | 59 | 370 | 2.2 | 59 |
| 20.0 | 370 | 2.4 | 68 | 370 | 3.6 | 68 | 370 | 2.3 | 64 | 370 | 3.2 | 64 | 370 | 2.2 | 61 | 370 | 2.8 | 61 | 370 | 1.8 | 55 | 370 | 2.3 | 55 |
| 22.5 | 370 | 2.9 | 66 | 370 | 4.1 | 66 | 370 | 2.7 | 62 | 370 | 3.6 | 62 | 370 | 2.4 | 58 | 370 | 3.1 | 58 | 1420 | 1.1 | 67 | 1420 | 1.8 | 67 |
| 25.0 | 370 | 3.3 | 64 | 370 | 4.6 | 64 | 370 | 3.1 | 60 | 370 | 4.2 | 60 | 370 | 2.6 | 55 | 370 | 3.4 | 55 | 1420 | 1.2 | 65 | 1420 | 1.9 | 65 |
| 27.5 | 370 | 3.8 | 62 | 1420 | 3.4 | 75 | 370 | 3.3 | 57 | 370 | 4.5 | 57 | 1420 | 1.5 | 67 | 1420 | 2.2 | 67 | 1420 | 1.4 | 63 | 1420 | 2.1 | 63 |
| 30.0 | 370 | 4.1 | 60 | 1420 | 3.5 | 73 | 370 | 3.5 | 54 | 370 | 4.7 | 54 | 1420 | 1.7 | 65 | 1420 | 2.5 | 65 | 1420 | 1.5 | 61 | 1420 | 2.1 | 61 |
| 35.0 | 1420 | 2.2 | 69 | 1420 | 3.1 | 69 | 1420 | 2.1 | 66 | 1420 | 3.0 | 66 | 1420 | 2.0 | 62 | 1420 | 2.7 | 62 | 1420 | 1.8 | 58 | 1420 | 2.3 | 58 |
| 40.0 | 1420 | 2.6 | 67 | 1420 | 3.9 | 67 | 1420 | 2.5 | 63 | 1420 | 3.3 | 63 | 1420 | 2.4 | 60 | 1420 | 3.0 | 60 | 1420 | 1.8 | 52 | 1420 | 2.3 | 52 |
| 45.0 | 1420 | 3.1 | 65 | 1420 | 4.3 | 65 | 1420 | 2.9 | 61 | 1420 | 3.9 | 61 | 1420 | 2.6 | 57 | 1420 | 3.4 | 57 | 1480 | 1.1 | 66 | 1480 | 1.8 | 66 |
| 50.0 | 1420 | 3.5 | 62 | 1420 | 5.1 | 62 | 1420 | 3.2 | 58 | 1420 | 4.4 | 58 | 1420 | 2.7 | 52 | 1420 | 3.4 | 52 | 1480 | 1.3 | 64 | 1480 | 1.9 | 64 |
| 55.0 | 1420 | 4.1 | 61 | 1480 | 3.3 | 74 | 1420 | 3.4 | 55 | 1420 | 4.6 | 55 | 1480 | 1.5 | 67 | 1480 | 2.3 | 67 | 1480 | 1.4 | 62 | 1480 | 2.0 | 62 |
| 60.0 | 1480 | 2.0 | 72 | 1480 | 3.3 | 72 | 1420 | 3.6 | 51 | 1420 | 4.8 | 51 | 1480 | 1.7 | 65 | 1480 | 2.5 | 65 | 1480 | 1.5 | 61 | 1480 | 2.2 | 61 |
| 67.5 | 1480 | 2.2 | 70 | 1480 | 3.1 | 70 | 1480 | 2.1 | 66 | 1480 | 2.9 | 66 | 1480 | 2.0 | 63 | 1480 | 2.7 | 63 | 1480 | 1.7 | 58 | 1480 | 2.2 | 58 |
| 75.0 | 1480 | 2.5 | 68 | 1480 | 3.8 | 68 | 1480 | 2.4 | 64 | 1480 | 3.3 | 64 | 1480 | 2.3 | 61 | 1480 | 2.9 | 61 | 1480 | 1.8 | 54 | 1480 | 2.3 | 54 |
| 87.5 | 1480 | 3.1 | 65 | 1480 | 4.3 | 65 | 1480 | 2.9 | 61 | 1480 | 3.9 | 61 | 1480 | 2.6 | 57 | 1480 | 3.3 | 57 | 1584 | 0.9 | 73 | 1584 | 1.5 | 73 |
| 100.0 | 1480 | 3.7 | 62 | 1480 | 5.4 | 62 | 1480 | 3.3 | 58 | 1480 | 4.7 | 58 | 1480 | 2.6 | 50 | 1480 | 3.3 | 50 | 1584 | 0.9 | 70 | 1584 | 1.6 | 70 |
| 112.5 | 1584 | 1.9 | 82 | 1584 | 7.6 | 82 | 1480 | 3.5 | 53 | 1480 | 4.8 | 53 | 1584 | 1.2 | 72 | 1584 | 2.1 | 72 | 1584 | 1.0 | 67 | 1584 | 1.7 | 67 |
| 125.0 | 1584 | 1.9 | 79 | 1584 | 5.5 | 79 | 1584 | 1.5 | 73 | 1584 | 2.4 | 73 | 1584 | 1.2 | 70 | 1584 | 2.1 | 70 | 1584 | 1.2 | 65 | 1584 | 1.8 | 65 |
| 137.5 | 1584 | 2.0 | 76 | 1584 | 3.9 | 76 | 1584 | 1.6 | 71 | 1584 | 2.6 | 71 | 1584 | 1.4 | 68 | 1584 | 2.2 | 68 | 1584 | 1.3 | 64 | 1584 | 2.0 | 64 |
| 150.0 | 1584 | 2.0 | 74 | 1584 | 3.4 | 74 | 1584 | 1.6 | 69 | 1584 | 2.5 | 69 | 1584 | 1.6 | 66 | 1584 | 2.3 | 66 | 1584 | 1.4 | 62 | 1584 | 2.1 | 62 |
| 175.0 | 1584 | 2.1 | 70 | 1584 | 3.0 | 70 | 1584 | 2.0 | 66 | 1584 | 2.8 | 66 | 1584 | 1.9 | 63 | 1584 | 2.6 | 63 | 1584 | 1.7 | 59 | 1584 | 2.2 | 59 |
| 200.0 | 1584 | 2.5 | 68 | 1584 | 3.8 | 68 | 1584 | 2.4 | 64 | 1584 | 3.3 | 64 | 1584 | 2.3 | 61 | 1584 | 2.9 | 61 | 1584 | 1.8 | 54 | 1584 | 2.3 | 54 |
| 225.0 | 1584 | 2.9 | 65 | 1584 | 4.0 | 65 | 1584 | 2.8 | 62 | 1584 | 3.7 | 62 | 1584 | 2.5 | 58 | 1584 | 3.2 | 58 | 1660 | 1.2 | 66 | 1660 | 1.8 | 66 |
| 250.0 | 1584 | 3.4 | 63 | 1584 | 4.7 | 63 | 1584 | 3.0 | 59 | 1584 | 4.2 | 59 | 1584 | 2.6 | 54 | 1584 | 3.4 | 54 | 1660 | 1.3 | 64 | 1660 | 2.0 | 64 |
| 275.0 | 1584 | 3.8 | 61 | 1660 | 3.4 | 74 | 1584 | 3.4 | 57 | 1584 | 4.8 | 57 | 1660 | 1.6 | 66 | 1660 | 2.3 | 66 | 1660 | 1.4 | 62 | 1660 | 2.1 | 62 |
| 300.0 | 1660 | 2.1 | 72 | 1660 | 3.3 | 72 | 1584 | 3.5 | 53 | 1660 | 2.7 | 68 | 1660 | 1.8 | 65 | 1660 | 2.6 | 65 | 1660 | 1.6 | 60 | 1660 | 2.1 | 60 |
| 325.0 | 1660 | 2.1 | 70 | 1660 | 3.1 | 70 | 1660 | 2.0 | 66 | 1660 | 2.9 | 66 | 1660 | 1.9 | 63 | 1660 | 2.7 | 63 | 1660 | 1.7 | 58 | 1660 | 2.2 | 58 |
| 350.0 | 1660 | 2.4 | 69 | 1660 | 3.4 | 69 | 1660 | 2.3 | 65 | 1660 | 3.1 | 65 | 1660 | 2.1 | 62 | 1660 | 2.8 | 62 | 1660 | 1.8 | 56 | 1660 | 2.2 | 56 |
| 375.0 | 1660 | 2.6 | 67 | 1660 | 3.7 | 67 | 1660 | 2.4 | 63 | 1660 | 3.2 | 63 | 1660 | 2.3 | 60 | 1660 | 2.9 | 60 | 1660 | 1.8 | 53 | 1660 | 2.3 | 53 |
| 400.0 | 1660 | 2.8 | 66 | 1660 | 4.0 | 66 | 1660 | 2.6 | 62 | 1660 | 3.5 | 62 | 1660 | 2.4 | 59 | 1660 | 3.1 | 59 | 2760 | 1.0 | 68 | 2760 | 1.6 | 68 |
| 425.0 | 1660 | 3.0 | 65 | 1660 | 4.0 | 63 ③ | 1660 | 2.9 | 61 | 1660 | 3.8 | 61 | 1660 | 2.5 | 57 | 1660 | 3.3 | 57 | 2760 | 1.1 | 67 | 2760 | 1.7 | 67 |
| 450.0 | 1660 | 3.3 | 64 | 2760 | 4.4 | 78 ③ | 1660 | 3.1 | 60 | 2760 | 2.4 | 74 | 1660 | 2.6 | 55 | 1660 | 3.4 | 55 | 2760 | 1.1 | 66 | 2760 | 1.8 | 66 |
| 475.0 | 1660 | 3.5 | 63 | 2760 | 5.0 | 78 | 1660 | 3.2 | 59 | 2760 | 2.4 | 73 | 1660 | 2.7 | 53 | 1660 | 3.5 | 53 | 2760 | 1.2 | 65 | 2760 | 1.9 | 65 |
| 500.0 | 2760 | 1.9 | 77 | 2760 | 4.5 | 77 | 1660 | 3.3 | 57 | 2760 | 2.6 | 72 | 2760 | 1.3 | 68 | 2760 | 2.1 | 68 | 2760 | 1.3 | 64 | 2760 | 2.0 | 64 |
| 550.0 | 2760 | 2.0 | 74 | 2760 | 3.3 | 74 | 2760 | 1.6 | 70 | 2760 | 2.5 | 70 | 2760 | 1.5 | 67 | 2760 | 2.3 | 67 | 2760 | 1.4 | 62 | 2760 | 2.0 | 62 |
| 600.0 | 2760 | 2.1 | 72 | 2760 | 3.3 | 72 | 2760 | 1.8 | 68 | 2760 | 2.6 | 68 | 2760 | 1.7 | 65 | 2760 | 2.6 | 65 | 2760 | 1.6 | 61 | 2760 | 2.2 | 61 |
| 650.0 | 2760 | 2.1 | 70 | 2760 | 3.0 | 70 | 2760 | 2.0 | 66 | 2760 | 2.8 | 66 | 2760 | 1.9 | 63 | 2760 | 2.6 | 63 | 2760 | 1.7 | 59 | 2760 | 2.2 | 59 |
| 700.0 | 2760 | 2.3 | 69 | 2760 | 3.3 | 69 | 2760 | 2.2 | 65 | 2760 | 3.1 | 65 | 2760 | 2.1 | 62 | 2760 | 2.8 | 62 | 2760 | 1.8 | 57 | 2760 | 2.3 | 57 |
| 750.0 | 2760 | 2.5 | 67 | 2870 | 3.7 | 74 | 2760 | 2.4 | 64 | 2870 | 3.5 | 73 | 2760 | 2.3 | 61 | 2760 | 3.0 | 61 | 2760 | 1.8 | 54 | 2760 | 2.3 | 54 |
| 800.0 | 2760 | 2.7 | 66 | 2870 | 3.7 | 73 | 2760 | 2.6 | 62 | 2870 | 3.4 | 70 | 2760 | 2.4 | 59 | 2870 | 3.0 | 67 | 2760 | 1.8 | 50 | 2760 | 2.2 | 50 |
| 850.0 | 2870 | 4.2 | 76 | 2870 | 3.7 | 72 | 2760 | 2.8 | 61 | 2870 | 3.4 | 70 | 2760 | 2.5 | 58 | 2870 | 3.0 | 66 | 2870 | 3.4 | 69 | 2870 | 2.5 | 60 |
| 900.0 | ④ | ④ | ④ | 2870 | 3.7 | 71 | 2870 | 3.9 | 73 | 2870 | 3.4 | 69 | 2760 | 2.6 | 56 | 2870 | 3.0 | 65 | 2870 | 3.3 | 66 | 2870 | 2.5 | 58 |
| 950.0 | ④ | ④ | ④ | 2870 | 3.8 | 70 | 2870 | 3.9 | 71 | 2870 | 3.3 | 67 | 2870 | 3.7 | 69 | 2870 | 3.0 | 64 | 2870 | 3.3 | 65 | 2870 | 2.5 | 56 |
| 1000.0 | ④ | ④ | ④ | 2870 | 3.8 | 69 | ④ | ④ | ④ | 2870 | 3.3 | 66 | 2870 | 3.7 | 68 | 2870 | 3.1 | 62 | 2870 | 3.2 | 62 | 2870 | 2.5 | 54 |
| 1100.0 | | | | | | | | | | | | | | | | | | | | | | | | |

Quick Selection — General Duty (Other than Belt Conveyors)

Quick Selection Table 870 RPM Input Speed

| Load HP | General Duty Start Factor ① | | | | | | | | | | | | | | | | | | | | | | | |
|---------|-----------------------------|--------|------------|---------------|--------|------------|---------------|--------|------------|---------------|--------|------------|---------------|--------|------------|---------------|--------|------------|---------------|--------|------------|---------------|--------|------------|
| | 140% | | | | | | 170% | | | | | | 200% | | | | | | 250% | | | | | |
| | HFD | | | HFN/HFR ② | | | HFD | | | HFN/HFR ② | | | HFD | | | HFN/HFR ② | | | HFD | | | HFN/HFR ② | | |
| | Coupling Size | % Slip | Fill Angle | Coupling Size | % Slip | Fill Angle | Coupling Size | % Slip | Fill Angle | Coupling Size | % Slip | Fill Angle | Coupling Size | % Slip | Fill Angle | Coupling Size | % Slip | Fill Angle | Coupling Size | % Slip | Fill Angle | Coupling Size | % Slip | Fill Angle |
| 1.00 | — | — | — | 235 | 4.9 | 70 | — | — | — | 235 | 4.1 | 66 | — | — | — | 235 | 3.2 | 62 | — | — | — | 235 | 2.3 | 50 |
| 1.25 | — | — | — | 235 | 7.5 | 65 | — | — | — | 235 | 4.7 | 60 | — | — | — | 235 | 3.7 | 50 | — | — | — | 270 | 2.1 | 63 |
| 1.50 | — | — | — | 270 | 3.0 | 70 | — | — | — | 270 | 2.8 | 67 | — | — | — | 270 | 2.7 | 64 | — | — | — | 270 | 2.2 | 59 |
| 1.75 | — | — | — | 270 | 3.9 | 67 | — | — | — | 270 | 3.3 | 64 | — | — | — | 270 | 2.9 | 60 | — | — | — | 270 | 2.3 | 54 |
| 2.00 | — | — | — | 270 | 4.2 | 65 | — | — | — | 270 | 3.8 | 61 | — | — | — | 270 | 3.3 | 57 | — | — | — | 320 | 1.6 | 70 |
| 2.50 | — | — | — | 270 | 6.3 | 60 | — | — | — | 270 | 4.7 | 55 | — | — | — | 320 | 2.1 | 70 | — | — | — | 320 | 1.9 | 66 |
| 3.00 | — | — | — | 320 | 3.3 | 74 | 370 | 1.6 | 93 | 320 | 2.5 | 70 | 370 | 1.1 | 86 | 320 | 2.3 | 66 | 370 | 0.8 | 78 | 320 | 2.1 | 62 |
| 4.00 | 370 | 1.8 | 89 | 320 | 3.6 | 68 | 370 | 1.4 | 81 | 320 | 3.2 | 64 | 370 | 1.2 | 76 | 320 | 2.9 | 61 | 370 | 0.9 | 71 | 320 | 2.3 | 55 |
| 5.00 | 370 | 1.8 | 80 | 320 | 4.7 | 64 | 370 | 1.5 | 75 | 320 | 4.2 | 60 | 370 | 1.3 | 71 | 320 | 3.4 | 55 | 370 | 1.1 | 66 | 370 | 1.8 | 66 |
| 6.25 | 370 | 2.0 | 74 | 370 | 3.4 | 74 | 370 | 1.6 | 69 | 320 | 4.9 | 52 | 370 | 1.6 | 66 | 370 | 2.3 | 66 | 370 | 1.4 | 62 | 370 | 2.1 | 62 |
| 7.50 | 370 | 2.2 | 70 | 370 | 3.1 | 70 | 370 | 2.0 | 66 | 370 | 2.9 | 66 | 370 | 2.0 | 63 | 370 | 2.7 | 63 | 370 | 1.7 | 58 | 370 | 2.2 | 58 |
| 8.75 | 370 | 2.7 | 67 | 370 | 4.0 | 67 | 370 | 2.5 | 63 | 370 | 3.4 | 63 | 370 | 2.4 | 60 | 370 | 3.0 | 60 | 370 | 1.8 | 52 | 370 | 2.3 | 52 |
| 10.0 | 370 | 3.2 | 64 | 370 | 4.4 | 64 | 370 | 3.0 | 60 | 370 | 3.9 | 60 | 370 | 2.6 | 56 | 370 | 3.3 | 56 | 1420 | 1.2 | 65 | 1420 | 1.9 | 65 |
| 12.5 | 370 | 4.2 | 60 | 1420 | 3.2 | 72 | 370 | 3.6 | 54 | 370 | 4.9 | 54 | 1420 | 1.7 | 65 | 1420 | 2.5 | 65 | 1420 | 1.5 | 61 | 1420 | 2.1 | 61 |
| 15.0 | 1420 | 2.4 | 69 | 1420 | 3.4 | 69 | 1420 | 2.3 | 65 | 1420 | 3.1 | 65 | 1420 | 2.1 | 62 | 1420 | 2.8 | 62 | 1420 | 1.8 | 56 | 1420 | 2.2 | 56 |
| 17.5 | 1420 | 2.9 | 66 | 1420 | 4.2 | 66 | 1420 | 2.7 | 62 | 1420 | 3.6 | 62 | 1420 | 2.4 | 58 | 1420 | 3.1 | 58 | 1480 | 1.0 | 67 | 1480 | 1.7 | 67 |
| 20.0 | 1420 | 3.4 | 63 | 1420 | 4.9 | 63 | 1420 | 3.1 | 59 | 1420 | 4.3 | 59 | 1420 | 2.7 | 54 | 1420 | 3.5 | 54 | 1480 | 1.2 | 65 | 1480 | 1.9 | 65 |
| 22.5 | 1420 | 4.0 | 61 | 1480 | 3.2 | 74 | 1420 | 3.5 | 56 | 1420 | 4.9 | 56 | 1480 | 1.5 | 67 | 1480 | 2.3 | 67 | 1480 | 1.4 | 62 | 1480 | 2.0 | 62 |
| 25.0 | 1480 | 2.1 | 72 | 1480 | 3.3 | 72 | 1480 | 1.8 | 68 | 1480 | 2.7 | 68 | 1480 | 1.8 | 65 | 1480 | 2.6 | 65 | 1480 | 1.6 | 60 | 1480 | 2.1 | 60 |
| 27.5 | 1480 | 2.2 | 70 | 1480 | 3.1 | 70 | 1480 | 2.0 | 66 | 1480 | 2.9 | 66 | 1480 | 2.0 | 63 | 1480 | 2.7 | 63 | 1480 | 1.7 | 58 | 1480 | 2.2 | 58 |
| 30.0 | 1480 | 2.4 | 68 | 1480 | 3.6 | 68 | 1480 | 2.3 | 64 | 1480 | 3.1 | 64 | 1480 | 2.2 | 61 | 1480 | 2.8 | 61 | 1480 | 1.8 | 55 | 1480 | 2.3 | 55 |
| 35.0 | 1480 | 3.0 | 65 | 1480 | 4.1 | 65 | 1480 | 2.8 | 61 | 1480 | 3.7 | 61 | 1480 | 2.5 | 58 | 1480 | 3.3 | 58 | 1584 | 0.8 | 73 | 1584 | 1.4 | 73 |
| 40.0 | 1480 | 3.6 | 63 | 1480 | 5.2 | 63 | 1480 | 3.2 | 58 | 1480 | 4.4 | 58 | 1480 | 2.6 | 52 | 1480 | 3.4 | 52 | 1584 | 0.9 | 70 | 1584 | 1.6 | 70 |
| 45.0 | 1480 | 4.1 | 60 | 1480 | 6.5 | 60 | 1480 | 3.6 | 55 | 1480 | 4.8 | 55 | 1584 | 1.2 | 73 | 1584 | 2.0 | 73 | 1584 | 1.0 | 68 | 1584 | 1.7 | 68 |
| 50.0 | 1584 | 1.8 | 80 | 1584 | 5.8 | 80 | 1584 | 1.5 | 74 | 1584 | 2.4 | 74 | 1584 | 1.2 | 70 | 1584 | 2.0 | 70 | 1584 | 1.2 | 66 | 1584 | 1.8 | 66 |
| 55.0 | 1584 | 1.9 | 77 | 1584 | 4.4 | 77 | 1584 | 1.6 | 72 | 1584 | 2.6 | 72 | 1584 | 1.3 | 68 | 1584 | 2.1 | 68 | 1584 | 1.3 | 64 | 1584 | 2.0 | 64 |
| 60.0 | 1584 | 1.9 | 74 | 1584 | 3.2 | 74 | 1584 | 1.6 | 70 | 1584 | 2.5 | 70 | 1584 | 1.5 | 67 | 1584 | 2.3 | 67 | 1584 | 1.4 | 62 | 1584 | 2.0 | 62 |
| 67.5 | 1584 | 2.1 | 72 | 1584 | 3.4 | 72 | 1584 | 1.8 | 68 | 1584 | 2.7 | 68 | 1584 | 1.8 | 64 | 1584 | 2.5 | 64 | 1584 | 1.6 | 60 | 1584 | 2.1 | 60 |
| 75.0 | 1584 | 2.2 | 69 | 1584 | 3.2 | 69 | 1584 | 2.1 | 66 | 1584 | 3.0 | 66 | 1584 | 2.0 | 62 | 1584 | 2.7 | 62 | 1584 | 1.8 | 58 | 1584 | 2.3 | 58 |
| 87.5 | 1584 | 2.7 | 66 | 1584 | 3.9 | 66 | 1584 | 2.6 | 63 | 1584 | 3.5 | 63 | 1584 | 2.3 | 59 | 1584 | 3.0 | 59 | 1584 | 1.8 | 50 | 1584 | 2.2 | 50 |
| 100.0 | 1584 | 3.3 | 64 | 1584 | 4.6 | 64 | 1584 | 3.1 | 60 | 1584 | 4.1 | 60 | 1584 | 2.6 | 55 | 1584 | 3.4 | 55 | 1660 | 1.2 | 64 | 1660 | 1.9 | 64 |
| 112.5 | 1584 | 3.8 | 61 | 1660 | 3.3 | 74 | 1584 | 3.4 | 57 | 1584 | 4.7 | 57 | 1660 | 1.5 | 66 | 1660 | 2.3 | 66 | 1660 | 1.4 | 62 | 1660 | 2.1 | 62 |
| 125.0 | 1660 | 2.0 | 71 | 1660 | 3.1 | 71 | 1584 | 3.5 | 52 | 1584 | 4.8 | 52 | 1660 | 1.8 | 64 | 1660 | 2.5 | 64 | 1660 | 1.6 | 60 | 1660 | 2.1 | 60 |
| 137.5 | 1660 | 2.2 | 69 | 1660 | 3.1 | 69 | 1660 | 2.1 | 66 | 1660 | 3.0 | 66 | 1660 | 2.0 | 63 | 1660 | 2.8 | 63 | 1660 | 1.8 | 58 | 1660 | 2.3 | 58 |
| 150.0 | 1660 | 2.5 | 68 | 1660 | 3.7 | 68 | 1660 | 2.4 | 64 | 1660 | 3.2 | 64 | 1660 | 2.2 | 61 | 1660 | 2.9 | 61 | 1660 | 1.9 | 55 | 1660 | 2.4 | 55 |
| 175.0 | 1660 | 3.1 | 65 | 1660 | 4.2 | 65 | 1660 | 2.9 | 61 | 1660 | 3.8 | 61 | 1660 | 2.6 | 57 | 1660 | 3.3 | 57 | 2760 | 1.1 | 67 | 2760 | 1.7 | 67 |
| 200.0 | 1660 | 3.6 | 62 | 1660 | 5.3 | 62 | 1660 | 3.2 | 58 | 1660 | 4.5 | 58 | 1660 | 2.7 | 51 | 1660 | 3.4 | 51 | 2760 | 1.2 | 65 | 2760 | 2.0 | 65 |
| 225.0 | 2760 | 2.0 | 74 | 2760 | 3.3 | 74 | 1660 | 3.6 | 54 | 1660 | 4.9 | 54 | 2760 | 1.5 | 67 | 2760 | 2.3 | 67 | 2760 | 1.4 | 62 | 2760 | 2.0 | 62 |
| 250.0 | 2760 | 2.1 | 72 | 2760 | 3.3 | 72 | 2760 | 1.8 | 68 | 2760 | 2.7 | 68 | 2760 | 1.8 | 65 | 2760 | 2.6 | 65 | 2760 | 1.6 | 60 | 2760 | 2.1 | 60 |
| 275.0 | 2760 | 2.2 | 70 | 2760 | 3.1 | 70 | 2760 | 2.1 | 66 | 2760 | 2.9 | 66 | 2760 | 2.0 | 63 | 2760 | 2.7 | 63 | 2760 | 1.7 | 58 | 2760 | 2.2 | 58 |
| 300.0 | 2760 | 2.4 | 68 | 2760 | 3.6 | 68 | 2760 | 2.3 | 64 | 2760 | 3.2 | 64 | 2760 | 2.2 | 61 | 2760 | 2.8 | 61 | 2760 | 1.8 | 55 | 2760 | 2.3 | 55 |
| 325.0 | 2760 | 2.7 | 66 | 2760 | 3.8 | 66 | 2760 | 2.6 | 63 | 2760 | 3.4 | 63 | 2760 | 2.3 | 59 | 2760 | 3.0 | 59 | 2760 | 1.8 | 51 | 2760 | 2.2 | 51 |
| 350.0 | 2760 | 3.0 | 65 | 2760 | 4.1 | 65 | 2760 | 2.8 | 61 | 2760 | 3.7 | 61 | 2760 | 2.6 | 58 | 2760 | 3.3 | 58 | 2870 | 3.4 | 69 | 2870 | 2.5 | 60 |
| 375.0 | 2760 | 3.3 | 64 | 2760 | 4.6 | 64 | 2760 | 3.1 | 60 | 2760 | 4.1 | 60 | 2760 | 2.6 | 55 | 2760 | 3.4 | 55 | 2870 | 3.3 | 65 | 2870 | 2.5 | 57 |
| 400.0 | 2760 | 3.5 | 62 | 2760 | 5.1 | 62 | 2760 | 3.2 | 58 | 2760 | 4.4 | 58 | 2760 | 2.7 | 52 | 2760 | 3.4 | 52 | 2870 | 3.2 | 63 | 2870 | 2.5 | 55 |
| 425.0 | 2760 | 3.9 | 61 | 2870 | 3.6 | 68 | 2760 | 3.5 | 57 | 2760 | 4.8 | 57 | 2870 | 3.9 | 69 | 2870 | 2.9 | 60 | 2870 | 3.0 | 59 | 2870 | 2.5 | 52 |
| 450.0 | 2760 | 4.1 | 60 | 2870 | 3.7 | 67 | 2760 | 3.5 | 54 | 2760 | 4.7 | 54 | 2870 | 3.7 | 66 | 2870 | 2.9 | 58 | 2870 | 2.0 | 56 | 2870 | 2.6 | 51 |
| 475.0 | 2870 | 4.1 | 69 | 2870 | 3.7 | 66 | 2760 | 3.6 | 51 | 2870 | 3.4 | 62 | 2870 | 3.7 | 65 | 2870 | 2.9 | 56 | 2870 | 2.4 | 54 | 2870 | 2.8 | 48 |
| 500.0 | 2870 | 4.1 | 67 | 2870 | 3.7 | 64 | 2870 | 3.9 | 65 | 2870 | 3.4 | 61 | 2870 | 3.8 | 64 | 2870 | 2.9 | 54 | 2870 | 2.7 | 53 | 2870 | 3.0 | 46 |
| 550.0 | 2870 | 4.2 | 65 | 2870 | 3.8 | 62 | 2870 | 4.0 | 63 | 2870 | 3.2 | 55 | 2870 | 3.0 | 56 | 2870 | 3.1 | 50 | 2870 | 3.3 | 49 | 2870 | 3.2 | 45 |
| 600.0 | 2870 | 4.1 | 61 | 2870 | 3.8 | 59 | 2870 | 3.9 | 60 | 2870 | 3.3 | 53 | 2870 | 3.5 | 54 | 2870 | 3.4 | 47 | 2870 | 3.7 | 45 | 2870 | 3.5 | 41 |
| 650.0 | 2870 | 4.1 | 58 | 2870 | 3.8 | 57 | 2870 | 4.0 | 57 | 2870 | 3.6 | 50 | 2870 | 3.9 | 51 | 2870 | 4.5 | 45 | — | — | — | — | — | — |
| 700.0 | ③ | ③ | ③ | — | — | — | 2870 | 4.3 | 54 | 2870 | 3.8 | 47 | 2870 | 4.2 | 47 | 2870 | 3.9 | 44 | — | — | — | — | — | — |
| 750.0 | ③ | ③ | ③ | — | — | — | ③ | ③ | ③ | — | — | — | ③ | ③ | ③ | ③ | ③ | ③ | ③ | ③ | ③ | ③ | ③ | ③ |
| 800.0 | — | — | — | — | — | — | ③ | ③ | ③ | — | — | — | ③ | ③ | ③ | ③ | ③ | ③ | ③ | ③ | ③ | ③ | ③ | ③ |
| 900.0 | — | — | — | — | — | — | ③ | ③ | ③ | — | — | — | — | — | — | — | — | — | — | — | — | — | — | — |
| 1000.0 | — | — | — | — | — | — | — | — | — | — | — | — | — | — | — | — | — | — | — | — | — | — | — | — |
| 1125.0 | — | — | — | — | — | — | — | — | — | — | — | — | — | — | — | — | — | — | — | — | — | — | — | — |
| 1250.0 | — | — | — | — | — | — | — | — | — | — | — | — | — | — | — | — | — | — | — | — | — | — | — | — |

① Start Factor for general duty (other than belt conveyors) is the nominal torque applied at the inception of acceleration, expressed as a percent of running load torque.

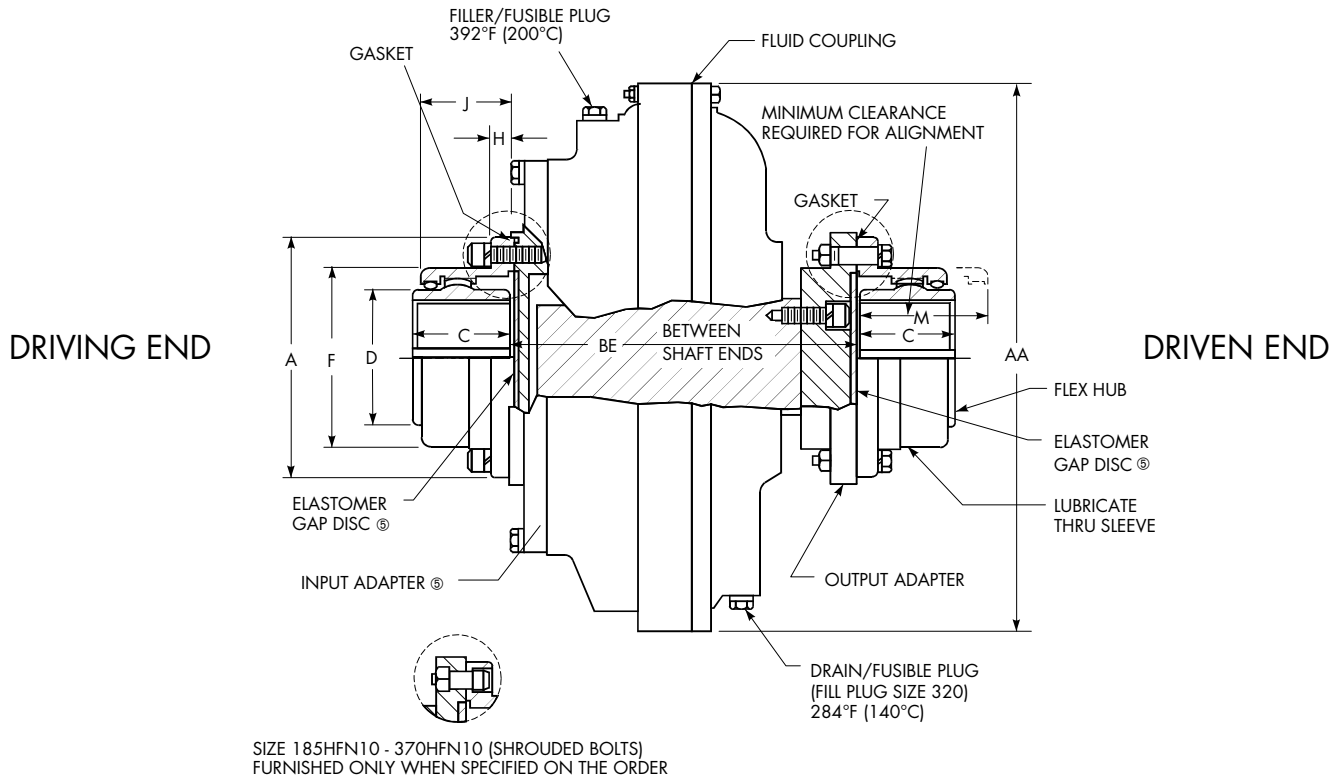
② Sizes 185/235/270/320/2870 are HFN. Sizes 370/1420/1480 are HFN or HFR, depending on mounting arrangement. Sizes 15

HFN20 Gear Coupling Mount (Non Delay Fill)

Flex half of Type G gear coupling at input and output, with gap discs, for horizontal mounting. Type G gear coupling hubs are furnished interference fit, no setscrew, unless specified otherwise. The fluid coupling drops in or out when gear coupling sleeves are unbolted and retracted.

Availability by Coupling Size & Type

| Type | Description | 185 | 235 | 270 | 320 | 370 | 1420 | 1480 |
|-------|----------------|-----|-----|-----|-----|-----|------|------|
| HFN20 | Non Delay Fill | X | X | X | X | X | X | X |



Dimensions (in)

| Cplg Size ① | Cplg Weight No Bore & w/o Fluid (lb) | Allow Speed RPM | A | C | D | F | H | J | M | AA | BE | Maximum Bore ② | | | Lube Wt per Gear Cplg Half (lb) | WR ² (lb-in ²) ④ | | |
|----------------|--|-----------------------|------|------|------|------|------|------|------|-------|-------|-------------------------|---------------|---------------|---|---|--------|---------------------|
| | | | | | | | | | | | | Shaft Coupling Type G20 | | | | Input | Output | Fluid @ Max Fill |
| | | | | | | | | | | | | Size | Square Key | Rect Key ③ | | | | |
| 185HF | 31 | 1800 | 4.56 | 1.69 | 2.70 | 3.30 | 0.55 | 1.53 | 2.90 | 8.86 | 6.10 | 1010 ⑤ | 1.875 | 2.125 | 0.05 | 85 | 20 | 13.7 |
| 235HF | 62 | 1800 | 6.00 | 1.94 | 3.40 | 4.14 | 0.75 | 1.88 | 3.20 | 10.83 | 7.61 | 1015 | 2.375 | 2.750 | 0.08 | 232 | 64 | 34.2 |
| 270HF | 77 | 1800 | 6.00 | 1.94 | 3.40 | 4.14 | 0.75 | 1.88 | 3.20 | 12.40 | 8.43 | 1015 | 2.375 | 2.750 | 0.08 | 490 | 106 | 103 |
| 320HF | 97 | 1800 | 6.00 | 1.94 | 3.40 | 4.14 | 0.75 | 1.88 | 3.20 | 14.37 | 8.80 | 1015 | 2.375 | 2.750 | 0.08 | 907 | 181 | 191 |
| 370HF | 185 | 1800 | 8.38 | 3.03 | 5.14 | 6.10 | 0.86 | 2.82 | 4.30 | 16.73 | 9.94 | 1025 | 3.625 | 4.000 | 0.25 | 1,930 | 445 | 393 |
| 1420HF | 235 | 1800 | 8.38 | 3.03 | 5.14 | 6.10 | 0.86 | 2.82 | 4.30 | 18.70 | 11.14 | 1025 | 3.625 | 4.000 | 0.25 | 3,200 | 721 | 820 |
| 1480HF | 300 | 1800 | 9.44 | 3.59 | 6.00 | 7.10 | 0.86 | 3.30 | 4.30 | 21.65 | 12.68 | 1030 | 4.125 | 4.750 | 0.40 | 5,630 | 1,504 | 1,505 |

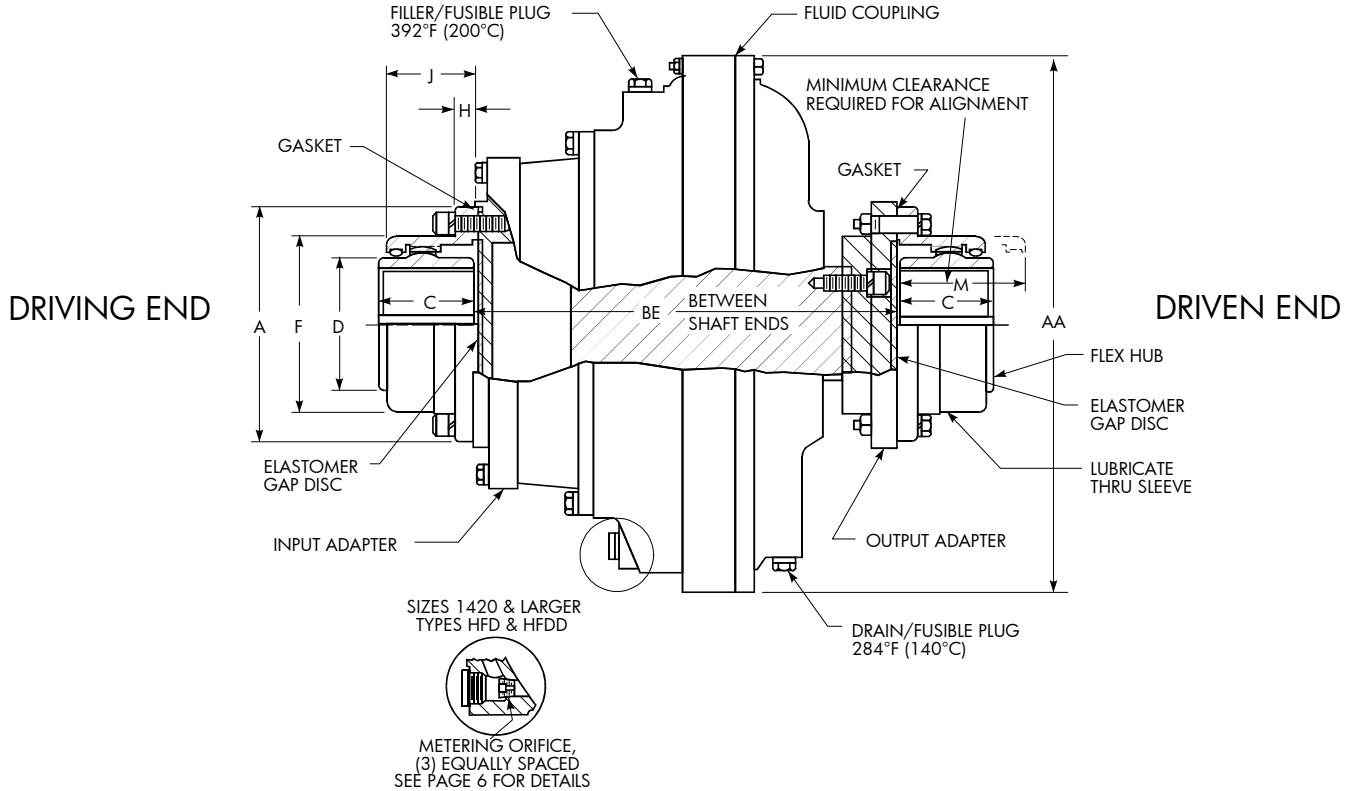
- ① Fluid couplings are offered for horizontal mounting as shown. Consult the Factory for other mounting arrangements. Dimensions are for reference only and subject to change without notice unless certified.
- ② Type G couplings are furnished with an average interference fit of 0.0005" per inch of shaft diameter, without setscrew, unless otherwise specified. Maximum bore capacity is reduced when interference fit with a setscrew over the keyway is specified. Refer to publication 427-105 for allowable bores.
- ③ Replace square shaft key with standard rectangular key for use with these bores. **NOTE:** Check key stresses.
- ④ Equivalent mass moment values shown apply only to the fluid coupling with adapters (gear coupling halves not included). Refer to **page 29** for fluid WR² multipliers for other than maximum fill.
- ⑤ For Size 185HFN, the 1010G flex half at the driving end mounts directly to the fluid coupling. The input adapter, and driving and driven end gap discs, are not required.

HF20 Gear Coupling Mount (with Delay Fill Chamber)

Flex half of Type G20 (exposed bolt) gear coupling at input and output, with gap discs, for horizontal mounting. Type G gear coupling hubs are furnished interference fit, no setscrew, unless specified otherwise. The fluid coupling drops in or out when gear coupling sleeves are unbolted and retracted.

Availability by Coupling Size & Type

| Type | Description | 370 | 1420 | 1480 | 1584 | 1660 |
|--------|---------------------|-----|------|------|------|------|
| HFD20 | Delay Fill | X | X | X | X | X |
| HFDD20 | Extended Delay Fill | | X | X | X | X |
| HFR20 | Inactive Delay Fill | | | | X | X |



Dimensions (in)

| Cplg Size ① | Cplg Weight No Bore & w/o Fluid (lb) | | Allow speed RPM | A | C | D | F | H | J | M | AA | BE | | Maximum Bore ② | | | Lube Wt per Gear Cplg Half (lb) | WR ² (lb-in ²) ③ | | | | | |
|----------------|--------------------------------------|------|-----------------|-------|------|------|------|------|------|------|-------|-------------------------|-------|----------------|-------|--------|---------------------------------|---|------------|---------|-------|-------|-------|
| | HFD HFR | HFDD | | | | | | | | | | Shaft Coupling Type G20 | | | Input | Output | | Fluid @ Max Fill | | | | | |
| | | | | | | | | | | | | HFD HFR | HFDD | Size | | | | Square Key | Rect Key ④ | HFD HFR | HFDD | HFD | HFR |
| 370HF | 156 | N/A | 1800 | 7.00 | 2.44 | 4.14 | 4.98 | 0.75 | 2.34 | 4.30 | 16.73 | 12.69 | N/A | 1020 | 2.875 | 3.250 | 0.13 | 1,910 | N/A | 358 | 478 | N/A | N/A |
| 1420HF | 237 | 246 | 1800 | 8.38 | 3.03 | 5.14 | 6.10 | 0.86 | 2.82 | 4.30 | 18.70 | 14.38 | 17.49 | 1025 | 3.625 | 4.000 | 0.25 | 3,080 | 3,240 | 740 | 990 | N/A | 925 |
| 1480HF | 340 | 353 | 1800 | 9.44 | 3.59 | 6.00 | 7.10 | 0.86 | 3.30 | 4.30 | 21.65 | 16.16 | 19.58 | 1030 | 4.125 | 4.750 | 0.40 | 5,700 | 6,030 | 1,550 | 1,980 | N/A | 1,950 |
| 1584HF | 570 | 592 | 1500 | 11.00 | 4.19 | 7.00 | 8.32 | 1.12 | 3.84 | 5.10 | 26.38 | 18.00 | 21.82 | 1035 | 4.875 | 5.750 | 0.60 | 12,150 | 13,000 | 3,570 | 4,955 | 3,844 | 5,125 |
| 1660HF | 815 | 844 | 1200 | 12.50 | 4.75 | 8.25 | 9.66 | 1.12 | 4.38 | 5.70 | 29.92 | 20.64 | 24.97 | 1040 | 5.750 | 6.500 | 1.00 | 22,900 | 24,400 | 6,210 | 9,225 | 8,167 | 9,570 |

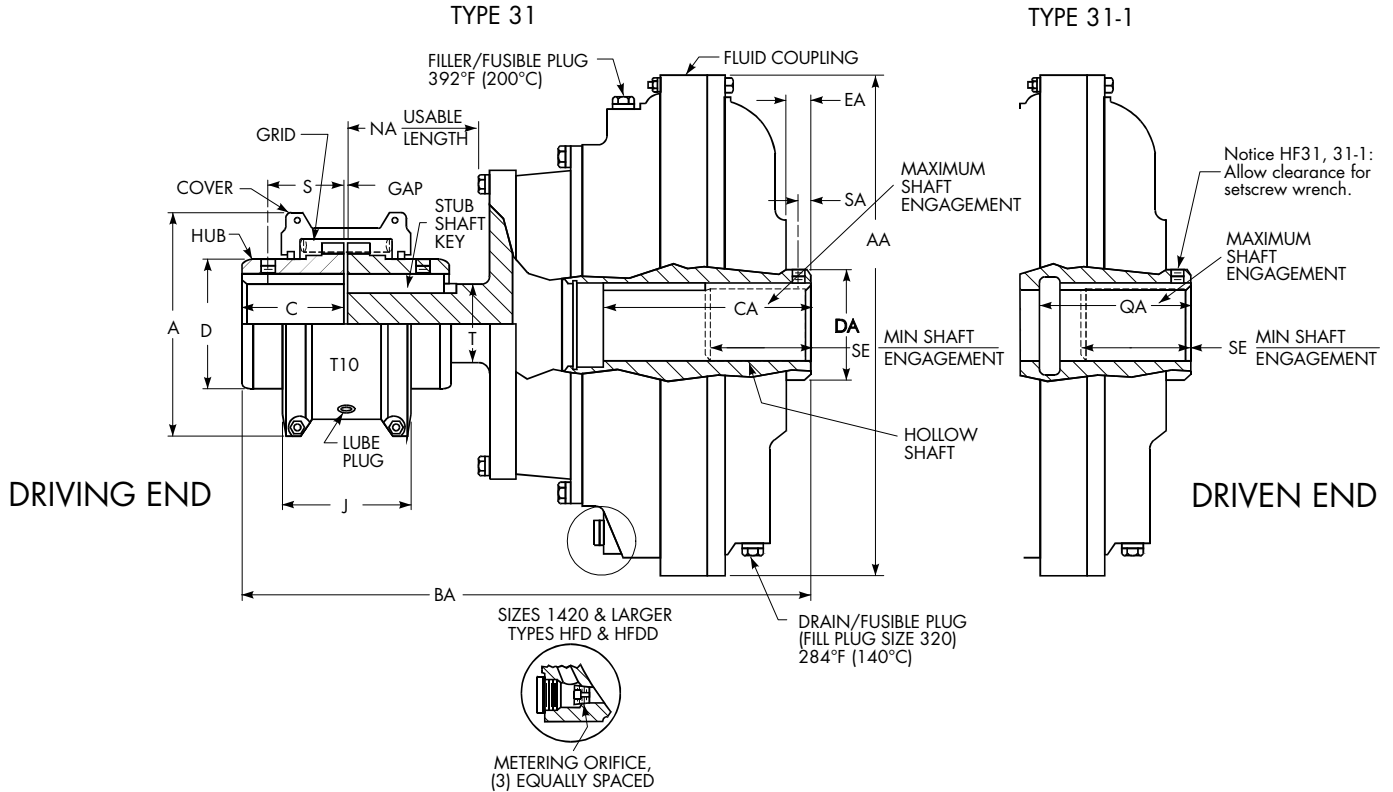
- ① Fluid couplings are offered for horizontal mounting as shown. Consult the Factory for other mounting arrangements. Dimensions are for reference only, and are subject to change without notice unless certified.
- ② Type G couplings are furnished with an average interference fit of 0.0005" per inch of shaft diameter, without setscrew, unless otherwise specified. Maximum bore capacity is reduced when interference fit with a setscrew over the keyway is specified. Refer to publication 427-105 for allowable bores.
- ③ Equivalent mass moment values shown apply only to the fluid coupling with adapters (gear coupling halves not included). Refer to **page 29** for fluid WR² multipliers for other than maximum fill.
- ④ To use these maximum bores, a customer-furnished rectangular key must replace the standard square key that was supplied with the shaft. **NOTE:** Check key stresses.

HF31, 31-1 Steelflex/Hollow Shaft Mount

Steelflex Type T10 coupling input, hollow shaft output, for horizontal mounting. Hollow shaft is bored to the order, modified clearance fit, with (2) setscrews, one over keyway, one at 90 degrees to keyway. Types HF31, 31-1 diminish the gap required between connected shafts. Type HF31-1 has greater max bore in the hollow shaft, but requires more shaft gap than HF31.

Availability by Coupling Size & Type

| Type | Description | 320 | 370 | 1420 | 1480 |
|-------------|---------------------|-----|-----|------|------|
| HFN31 | Non Delay Fill | X | | | |
| HFD31, 31-1 | Delay Fill | | X | X | X |
| HFR31, 31-1 | Inactive Delay Fill | | X | X | X |



Dimensions (in)

| Cplg Size ① | Cplg Weight No Bore & w/o Fluid (lb) | | Allow Speed RPM | A | C | D | J | S | AA | BA | | CA | DA | EA | IA ^④ | NA | QA | | SA ^② | SE ^⑤ (Min) | YA ^④ | |
|----------------|--|------------|-----------------------|-------|------|-------|------|------|-------|-------|------------|-------|------|------|-----------------|------|----------------------------------|--------------|-----------------|--------------------------|-----------------|--------------|
| | HFN | HFD HFR | | | | | | | | HFN | HFD HFR | | | | | | Fastener Size Types 32 & 32-1 | Type 31-1 | | | | Type 32-1 |
| | | | | | | | | | | | | | | | | | | | | | | |
| 320HF | 89 | N/A | 1800 | 5.94 | 2.50 | 3.00 | 3.62 | 2.06 | 14.37 | 13.60 | N/A | 6.06 | 3.13 | 0.88 | 5/8-11 UNC | 2.75 | N/A | 5.00 | 0.45 | 3.20 | 0.75 | |
| 370HF | N/A | 151 | 1800 | 7.62 | 3.50 | 4.12 | 4.56 | 2.54 | 16.73 | N/A | 18.64 | 7.65 | 3.52 | 0.98 | 3/4-10 UNC | 3.83 | 5.26 | 5.26 | 0.45 | 3.80 | 0.75 | |
| 1420HF | N/A | 216 | 1800 | 8.38 | 3.88 | 4.88 | 4.81 | 2.82 | 18.70 | N/A | 20.76 | 8.16 | 4.12 | 0.98 | 7/8-9 UNC | 4.21 | 5.50 | 5.50 | 0.45 | 4.40 | 1.00 | |
| 1480HF | N/A | 320 | 1800 | 9.88 | 4.75 | 5.59 | 6.12 | N/A | 21.65 | N/A | 24.65 | 9.01 | 4.71 | 1.09 | 7/8-9 UNC | 5.16 | 6.50 | 6.50 | 0.50 | 5.00 | 1.12 | |
| 1584HF | N/A | 502 | 1800 | 10.62 | 5.00 | 6.31 | 6.36 | N/A | 26.38 | N/A | 26.74 | 10.73 | 5.49 | 1.00 | 1 - 8 UNC | 5.49 | N/A | 7.50 | N/A | 5.80 | 1.12 | |
| 1660HF | N/A | 727 | 1800 | 12.12 | 5.88 | 7.06 | 7.54 | N/A | 29.92 | N/A | 31.04 | 12.75 | 6.28 | 1.29 | 1 1/4 - 7 UNC | 6.33 | N/A | 9.00 | N/A | 6.50 | 1.12 | |
| 2760HF | N/A | 1176 | 1800 ^③ | 15.12 | 7.25 | 10.00 | 7.92 | N/A | 34.25 | N/A | 36.03 | 15.00 | 6.68 | 1.41 | 1 1/4 - 7 UNC | 7.69 | N/A | 10.50 | N/A | 7.20 | 1.25 | |

① Fluid couplings are offered for horizontal mounting as shown. Refer to the Factory for other mounting arrangements. Dimensions are for reference only and are subject to change without notice unless certified.

② Setscrew sizes: Sizes 320HF thru 1420HF are 0.375-16X0.250. Size 1480HF is 0.500-13X0.250.

③ Special aluminum components.

④ Dimensions on **page 23**.

⑤ "SE" minimum listed is for Types 31 and 31-1 ONLY. For Types 32 and 32-1, the "SE" minimum formula is 1.5 times driven shaft diameter.

HF32, 32-1 Steelflex/Hollow Shaft Mount

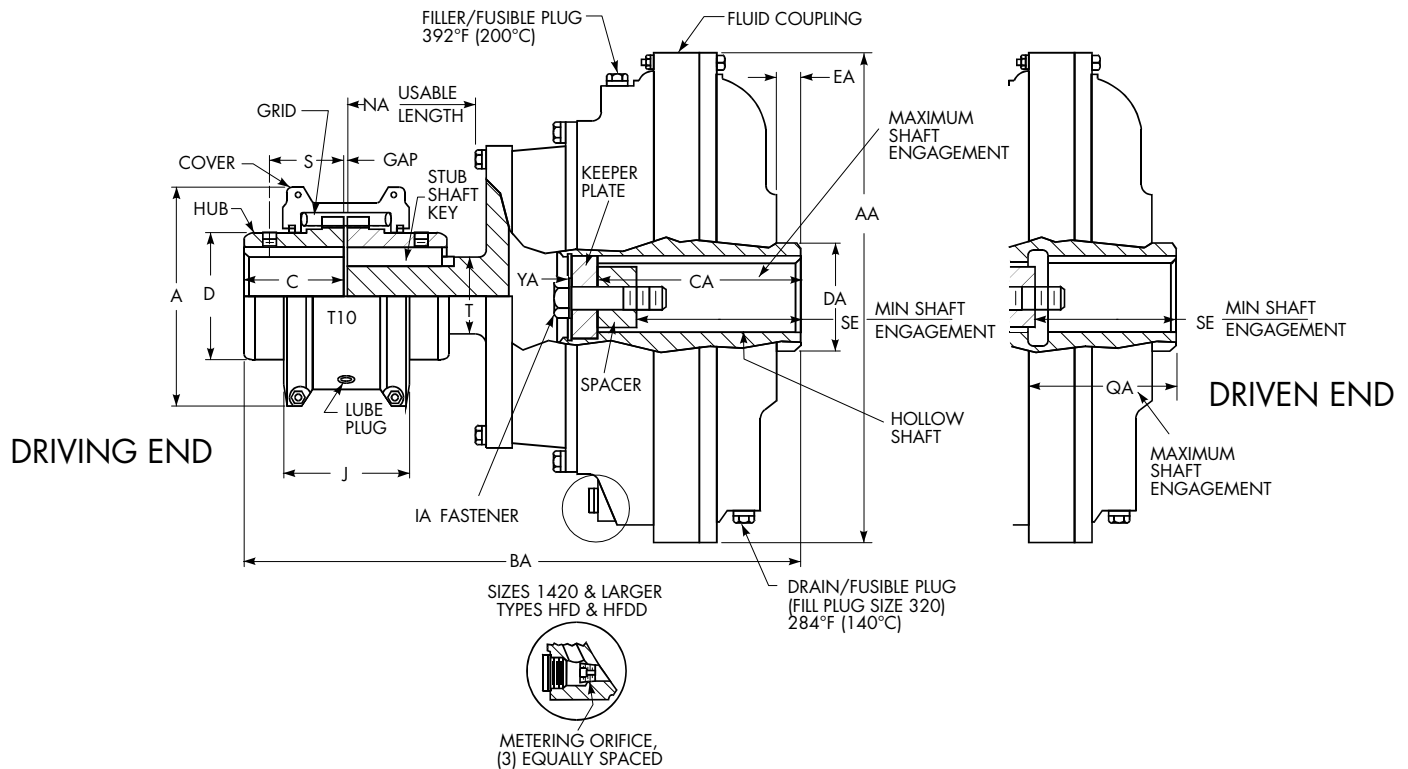
Steelflex Type T10 coupling input, hollow shaft output, for horizontal mounting. Hollow shaft is secured to driven shaft by axial retention fastener. Hollow shaft is bored to the order and includes modified transitional fit, no setscrew. Driven shaft end must be drilled and tapped for retention fastener, and fluid coupling includes Factory-furnished spacer (spacer machined to length by the Factory, based on actual shaft engagement dimension provided by customer). Types HF32, 32-1 diminish the gap required between connected shafts. Type HF32-1 has greater max bore in the hollow shaft, but requires more shaft gap than HF32.

Availability by Coupling Size & Type

| Type | Description | 320 | 370 | 1420 | 1480 | 1584 | 1660 | 2760 |
|-------------|---------------------|-----|-----|------|------|------|------|------|
| HFN32, 32-1 | Non Delay Fill | X | | | | | | |
| HFD32, 32-1 | Delay Fill | | X | X | X | X | X | X |
| HFR32, 32-1 | Inactive Delay Fill | | X | X | X | X | X | X |

TYPE 32

TYPE 32-1



Dimensions (in)

| Cplg Size ① | Stub Shaft | | Maximum Bore | | | | | | | | | | | | WR ² (lb-in ²) ⑤ | | | |
|-------------|------------|-----------------------|------------------|----------|--------|----------------|-----------|------------|-------------|------------|-----------|------------|-------------|------------|---|--------|------------------|--------|
| | T | Key | Shaft Coupling ② | | | Hollow Shaft ④ | | | | | | | | | Input | Output | Fluid @ Max Fill | |
| | | | GAP | Type T10 | | | Type 31 ④ | | Type 31-1 ④ | | Type 32 ④ | | Type 32-1 ④ | | | | HFN | HFD |
| | | | | Size | Sq Key | Rect Key ③ | Sq Key | Rect Key ③ | Sq Key | Rect Key ③ | Sq Key | Rect Key ③ | Sq Key | Rect Key ③ | | | | |
| 320HF | 1.875 | 1/2 x 1/2 x 2-1/4 | 0.125 | 1060 | 2.125 | 2.375 | 2.250 | 2.500 | N/A | N/A | 2.250 | 2.500 | N/A | 2.500 | 947 | 143 | 191.0 | N/A |
| 370HF | 2.500 | 5/8 x 5/8 x 2-3/4 | 0.125 | 1080 | 3.000 | 3.375 | 2.250 | 2.500 | 2.500 | 2.875 | 2.250 | 2.500 | 2.500 | 2.875 | 1,910 | 283 | 393.0 | 478 |
| 1420HF | 3.000 | 3/4 x 3/4 x 3 | 0.125 | 1090 | 3.500 | 3.875 | 2.500 | 2.875 | 3.000 | 3.375 | 2.500 | 2.875 | 3.000 | 3.375 | 3,050 | 570 | 820.0 | 990 |
| 1480HF | 3.500 | 7/8 x 7/8 x 3-3/4 | 0.188 | 1100 | 4.000 | 4.500 | 3.000 | 3.375 | 3.375 | 3.750 | 3.000 | 3.375 | 3.375 | 3.750 | 5,620 | 1,260 | 1,504 | 1,980 |
| 1584HF | 4.000 | 1 x 1 x 4 | 0.188 | 1110 | 4.500 | 5.000 | N/A | N/A | N/A | N/A | 3.500 | 3.875 | 4.000 | 4.500 | 12,100 | 2,900 | 3,844 | 4,955 |
| 1660HF | 4.500 | 1 x 1 x 4-1/2 | 0.250 | 1120 | 5.000 | 5.750 | N/A | N/A | N/A | N/A | 4.000 | 4.500 | 4.500 | 5.000 | 22,830 | 5,080 | 8,167 | 9,225 |
| 2760HF | 4.750 | 1-1/4 x 1-1/4 x 5-1/2 | 0.250 | 1140 | 7.000 | 7.250 | N/A | N/A | N/A | N/A | 4.750 | 5.500 | N/A | 5.500 | 38,750 | 9,360 | 14,660 | 16,230 |

- ① Fluid couplings are offered for horizontal mounting as shown. Refer to the Factory for other mounting arrangements. Dimensions are for reference only and are subject to change without notice unless certified.
- ② Unless otherwise specified, Sizes 1060T10 thru 1090T10 will be furnished for clearance fit with a setscrew over the keyway, and Sizes 1100T10 and larger will be furnished for interference fit without setscrew. Maximum bore capacities of Type T10 coupling hubs are reduced when interference fit with a setscrew over the keyway is specified. Refer to publication 427-105 for allowable bores.
- ③ To utilize these maximum bores, a customer-furnished rectangular key must replace the standard square key that was supplied with the shaft. **NOTE:** Check key stresses.
- ④ Types 31 & 31-1 hollow shafts are furnished for a modified clearance fit with one setscrew over the keyway and one setscrew at 90° to the keyway. Types 32 & 32-1 hollow shafts are furnished with modified transitional fit, no setscrew.
- ⑤ Equivalent mass moment values shown apply only to the fluid coupling (without bore), with stub shaft (flexible coupling not included). Refer to **page 29** for fluid WR² multipliers for other than maximum fill.

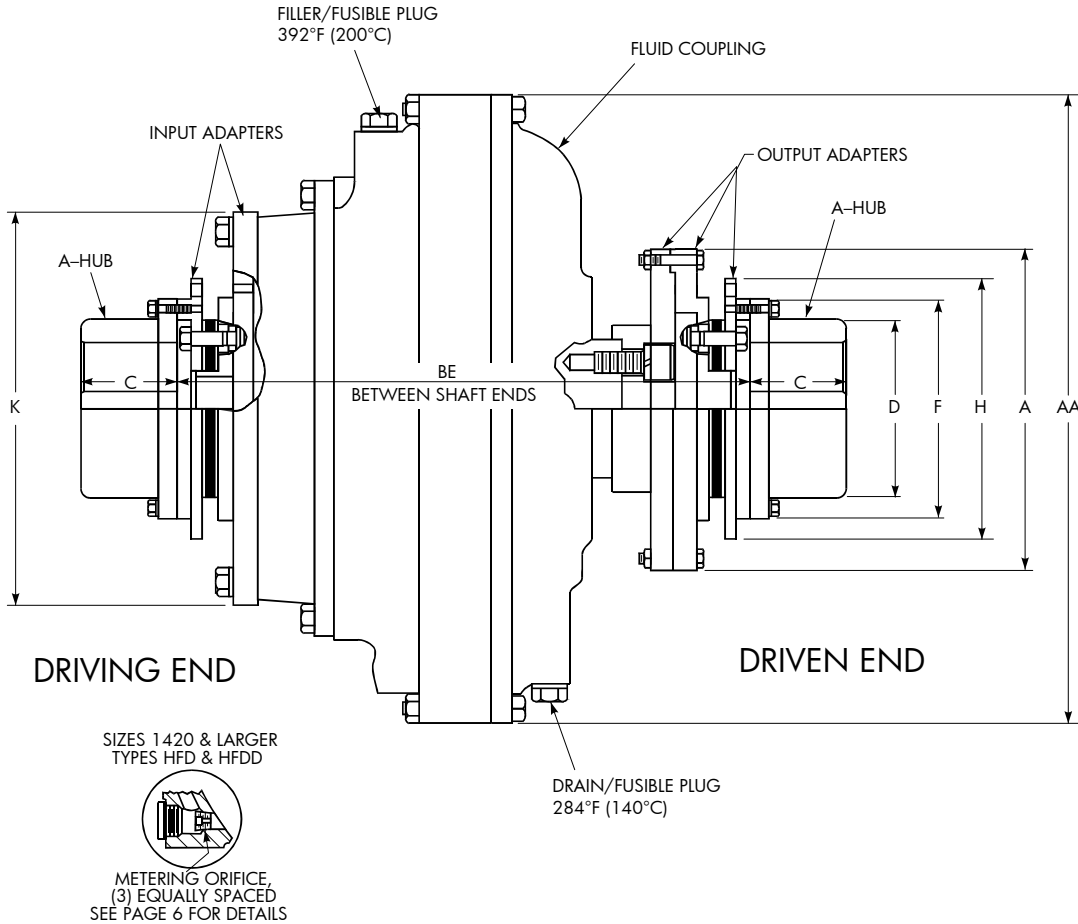
NOTE: Dimensions subject to change. Certified dimensions of ordered material furnished on request.

HF25 Disc Coupling Mount

Type FD disc coupling mount with discpack at input and output, for horizontal mounting. A-Hubs are furnished interference fit, no setscrew, unless specified otherwise. The fluid coupling drops in or out, in conjunction with discpack/adaptor assemblies.

Availability by Coupling Size & Type

| Type | Description | 370 | 1420 | 1480 | 1584 | 1660 | 2760 | 2870 |
|--------|---------------------|-----|------|------|------|------|------|------|
| HFN25 | Non Delay Fill | | | | | | | X |
| HFD25 | Delay Fill | X | X | X | X | X | X | X |
| HFDD25 | Extended Delay Fill | | X | X | X | X | X | X |
| HFR25 | Inactive Delay Fill | X | X | X | X | X | X | |



Dimensions (in)

| Cplg Size ① | Cplg Weight No Bore & w/o Fluid (lb) | | Allow Speed RPM | A | C | D | F | H | K | AA | BE | | Maximum Bore ② | | WR ² (lb-in ²) ③ | | | | | |
|----------------|--|------|--------------------|-------|------|------|-------|-------|-------|-------|---------------------------|----------|----------------|---------|---|------------------|--------|--------|--------|--------|
| | HFD HFR | HFDD | | | | | | | | | Shaft Coupling Type FD | | Input | | Output | Fluid @ Max Fill | | | | |
| | | | | | | | | | | | Size | Sq. Key | HFD HFR | HFDD | | HFD | HFR | HFDD | | |
| 370HF | 184 | N/A | 1800 | 9.50 | 2.92 | 5.30 | 6.60 | 7.75 | 10.04 | 16.73 | N/A | 190FD06A | 3.750 | 1,870 | N/A | 650 | 478 | 393 | N/A | |
| 1420HF | 230 | 239 | 1800 | 9.50 | 2.92 | 5.30 | 6.60 | 7.75 | 11.50 | 18.70 | 17.12 | 20.23 | 190FD06A | 3.750 | 2,850 | 3,010 | 827 | 990 | 820 | 925 |
| 1480HF | 337 | 350 | 1800 | 11.25 | 3.43 | 6.30 | 7.75 | 9.50 | 13.28 | 21.65 | 19.50 | 22.92 | 340FD06A | 4.375 | 5,214 | 5,545 | 1,864 | 1,980 | 1,504 | 1,950 |
| 1584HF | 546 | 568 | 1800 | 12.00 | 3.82 | 7.10 | 8.60 | 10.25 | 15.24 | 26.38 | 22.18 | 26.00 | 625FD06A | 5.000 | 11,200 | 12,050 | 3,620 | 4,955 | 3,844 | 5,125 |
| 1660HF | 816 | 845 | 1800 | 15.00 | 4.60 | 8.34 | 10.40 | 12.50 | 17.80 | 29.92 | 25.25 | 29.58 | 1080FD06A | 5.750 | 20,815 | 22,315 | 7,290 | 9,225 | 8,167 | 9,570 |
| 2760HF | 1177 | 1219 | 1800 | 16.50 | 5.30 | 9.60 | 11.70 | 13.75 | 20.34 | 34.25 | 28.88 | 33.72 | 1700FD06A | 7.000 ④ | 38,520 | 41,321 | 14,275 | 16,230 | 14,660 | 15,240 |
| 2870HF | 1685 | 1758 | 1500 | 17.00 | 5.08 | 8.38 | 10.85 | 13.50 | 23.60 | 38.98 | 31.50 | 37.09 | 2500FD08A | 5.875 | Refer to Factory | | | | | |

- ① Fluid couplings are offered for horizontal mounting as shown. Refer to the Factory for other mounting arrangements. Dimensions are for reference only and are subject to change without notice unless certified.
- ② Type FD Disc Couplings are furnished with an average interference fit of 0.0005" per inch of shaft diameter, without setscrew, unless otherwise specified. Maximum bore capacity is reduced when interference fit with a setscrew over the keyway is specified. Refer to publication 427-105 for allowable bores.
- ③ Equivalent mass moment values shown apply only to fluid coupling (without bore). Refer to **page 29** for fluid WR² multipliers for other than maximum fill.
- ④ Maximum bore is for hub with keyway for rectangular key.

HF132 & 132-1 Tschan/Hollow Shaft Mount

Tschan coupling input, hollow shaft output, for horizontal mounting. Hollow shaft is secured to driven shaft by axial retention fastener. Hollow shaft is bored to the order and includes modified transitional fit, no setscrew. Driven shaft end must be drilled and tapped for retention fastener, and fluid coupling includes Factory-furnished spacer (spacer machined to length by the Factory, based on actual shaft engagement dimension provided by customer). Types HF132, 132-1 permit smallest possible gap between connected shafts. Type HF132-1 has greater max bore in the hollow shaft, but requires more shaft gap than HF132.

Availability by Coupling Size & Type

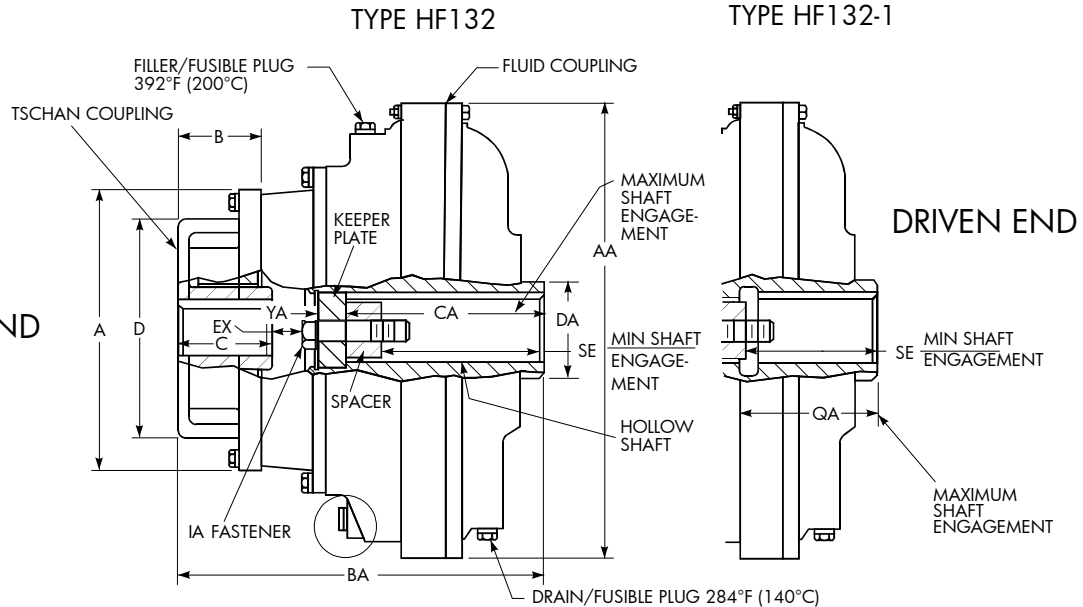
| Type | Description | 370 | 1420 | 1480 | 1584 | 1660 | 2760 |
|----------------|---------------------|-----|------|------|------|------|------|
| HFD132, 132-1 | Delay Fill | X | X | X | X | X | X |
| HFDD132, 132-1 | Extended Delay Fill | | X | X | X | X | X |
| HFR132, 132-1 | Inactive Delay Fill | X | X | X | X | X | X |

SIZES 1420 & LARGER
TYPES HFD & HFDD



METERING ORIFICE,
(3) EQUALLY SPACED
SEE PAGE 6 FOR DETAILS

DRIVING END



Dimensions (in)

| Cplg Size ① | Cplg Only, Weight No Bore & w/o Fluid (lb) | | Allow Speed RPM | A | B | C | D | AA | BA | | CA | DA | IA Fastener Size | EX | | SE (Min) | YA | QA |
|----------------|--|------|-----------------|-------|------|--------|-------|-------|-----------|-------|-------|------|------------------|-----------|------|----------|------|------|
| | HFD & HFR | HFDD | | | | | | | HFD & HFR | HFDD | | | | HFD & HFR | HFDD | | | |
| 370HF | 112 | N/A | 1800 | 9.92 | 2.56 | 3.11 ② | 7.87 | 16.73 | 11.41 | N/A | 6.74 | 3.52 | 3/4 - 10 UNC | 0.13 | N/A | 3.80 | 0.75 | 4.35 |
| 1420HF | 158 | 167 | 1800 | 11.42 | 2.76 | 3.54 | 9.06 | 18.70 | 12.88 | 15.99 | 7.26 | 4.12 | 7/8 - 9 UNC | 0.28 | 3.39 | 4.40 | 1.00 | 4.60 |
| 1480HF | 230 | 243 | 1800 | 13.19 | 3.35 | 4.33 | 10.24 | 21.65 | 15.06 | 18.48 | 8.00 | 4.71 | 7/8 - 9 UNC | 0.80 | 4.22 | 5.00 | 1.12 | 5.50 |
| 1584HF | 392 | 414 | 1800 | 15.16 | 3.94 | 5.12 | 11.81 | 26.38 | 17.05 | 20.87 | 9.73 | 5.49 | 1 - 8 UNC | 0.18 | 4.00 | 5.80 | 1.12 | 6.50 |
| 1660HF | 613 | 642 | 1800 | 17.91 | 4.84 | 5.00 ② | 14.17 | 29.92 | 20.00 | 24.33 | 11.54 | 6.28 | 1-1/4 - 7 UNC | 1.19 | 5.52 | 6.50 | 1.12 | 7.79 |
| 2760HF | 829 | 871 | 1800 ⑦ | 20.24 | 4.92 | 5.00 ② | 14.17 | 34.25 | 22.45 | 27.29 | 13.64 | 6.68 | 1-1/4 - 7 UNC | 1.41 | 6.25 | 7.20 | 1.25 | 9.14 |

| Cplg Size ① | Maximum Bore | | | | | | WR ² (lb-in ²) ⑥ | | | | | |
|----------------|-------------------|------------|--|--------------------------|---------------------------------|-----------|---|------------------|--------|--------|--------|--|
| | Tschan Coupling ③ | | Hollow Shaft (transitional fit, no ss) | | | Input | | Fluid @ Max Fill | | | | |
| | Size | Square Key | Type 132 Square Key | Type 132-1 Square Key | Type 132-1 Rectangular Key ⑤ | HFD & HFR | HFDD | Output | HFR | HFD | HFDD | |
| 370HF | 200 | 2.38 | 2.250 | 2.500 | 2.875 | 1,811 | N/A | 283 | 393 | 478 | N/A | |
| 1420HF | 230 | 2.50 ④ | 2.500 | 3.000 | 3.375 | 2,802 | 3,022 | 570 | 820 | 990 | 925 | |
| 1480HF | 260 | 3.38 | 3.000 | 3.375 | 3.750 | 5,228 | 5,608 | 1,260 | 1,504 | 1,980 | 1,950 | |
| 1584HF | 300 | 3.75 | 3.500 | 4.000 | 4.500 | 11,448 | 12,293 | 2,903 | 3,844 | 4,955 | 5,125 | |
| 1660HF | 360 | 5.12 | 4.000 | 4.500 | 5.000 | 21,186 | 23,990 | 5,076 | 8,167 | 9,225 | 9,570 | |
| 2760HF | 360 | 5.12 | 4.750 | N/A | 5.500 | 38,614 | 39,938 | 9,252 | 14,660 | 16,230 | 15,240 | |

- ① Fluid couplings are offered for horizontal mounting as shown. Refer to the Factory for other mounting arrangements. Dimensions are for reference only and subject to change without notice unless certified.
- ② Non-standard shortened Tschan hub length.
- ③ Tschan coupling hubs are furnished with an average interference fit of 0.0005" per inch of shaft diameter, unless specified otherwise.
- ④ Size 1420HF is available with a 2.88" bore and a 0.750" x 0.125" keyway. Rexnord will furnish a flat key 0.750" x 0.500" x 3.5".
- ⑤ To use these maximum bores, a customer-furnished rectangular key must replace the standard square key that was supplied with the shaft. **NOTE:** Check key stresses.
- ⑥ Equivalent mass moment values shown apply only to the fluid coupling (without bore). Refer to **page 29** for fluid WR² multipliers for other than maximum fill.
- ⑦ Special aluminum components.

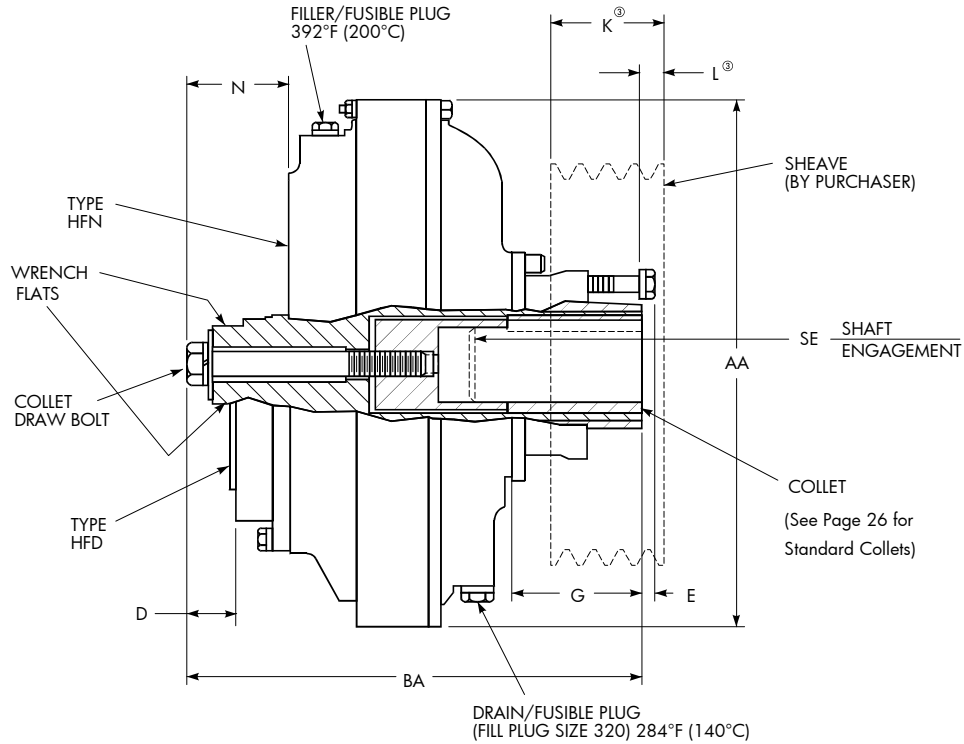
NOTE: Dimensions subject to change. Certified dimensions of ordered material furnished on request.

HF41 Sheave/Hollow Shaft Mount

Hollow shaft input, QD sheave output, for horizontal mounting. For all sizes below, the Factory furnishes a specially manufactured QD Adapter (in lieu of QD bushing) to accommodate the QD sheave supplied by purchaser. All sizes below are secured to the motor shaft by a collet/collet draw bolt.

Availability by Coupling Size & Type

| Type | Description | 185 | 235 | 270 | 320 | 370 |
|-------|----------------|-----|-----|-----|-----|-----|
| HFN41 | Non Delay Fill | X | X | X | X | X |
| HFD41 | Delay Fill | | | | | X |



Dimensions (in)

| Cplg Size ① | Cplg Weight No Bore & w/o Sheave, Fluid (lb) | | Allowable Speed RPM | Sheave Adapter QD ② | D | E ③ | G | N | AA | BA | SE (Min) | SE (Max) |
|----------------|--|-----|---------------------------|---------------------------|------|------|------|------|-------|-------|----------|----------------|
| | HFN | HFD | | | | | | | | | | |
| 185HF | 22 | N/A | 1800 | SDS | N/A | 0.26 | 2.29 | 0.99 | 8.86 | 7.69 | 2.00 | See page 27 |
| 235HF | 38 | N/A | 1800 | SK | N/A | 0.36 | 2.95 | 1.31 | 10.83 | 9.65 | 2.50 | |
| 270HF | 50 | N/A | 1800 | SF | N/A | 0.42 | 3.19 | 1.36 | 12.40 | 10.02 | 2.50 | |
| 320HF | 81 | N/A | 1800 | E | N/A | 0.53 | 4.21 | 1.93 | 14.37 | 12.48 | 3.12 | |
| 370HF | 107 | 114 | 1800 | E | 1.45 | 0.53 | 4.11 | 3.34 | 16.73 | 14.46 | 3.75 | |

| Cplg Size | Collet Min Bore ④ (in) | Collet Max Bore (in) ④ | | WR ² (lb-in ²) ⑥ | | | | | |
|--------------|---------------------------------|---------------------------|----------------------|---|--------|---------------------|----------|--------|---------------------|
| | | Square Key | Rectangular Key ⑤ | Type HFN | | | Type HFD | | |
| | | | | Input | Output | Fluid @ Max Fill | Input | Output | Fluid @ Max Fill |
| 185HF | 0.875 | 1.000 | 1.125 | 12 | 91 | 13.7 | N/A | N/A | N/A |
| 235HF | 1.125 | 1.250 | 1.375 | 34 | 217 | 34.2 | N/A | N/A | N/A |
| 270HF | 1.125 | 1.750 | 1.875 | 77 | 436 | 103 | N/A | N/A | N/A |
| 320HF | 1.375 | 1.875 | 2.125 | 154 | 873 | 191 | N/A | N/A | N/A |
| 370HF | 1.625 | 2.125 | 2.375 | 299 | 1,684 | 393 | 299 | 1,718 | 478 |

- ① Fluid couplings are offered for horizontal mounting as shown. Refer to the Factory for other mounting arrangements. Dimensions are for reference only and are subject to change without notice unless certified. Rexnord furnishes a specially manufactured QD Adapter (in lieu of QD bushing) to accommodate the QD sheave supplied by purchaser.
- ② Rexnord furnishes a specially manufactured QD Adapter (in lieu of QD bushing) to accommodate the QD sheave supplied by purchaser.
- ③ For Dimensions K and L, refer to sheave tables on **page 27**. Dimensions E and L for Sizes 185 thru 370 may vary up to ± .12 inches. For Dimension L, negative value represents dimension to the left of collet face.
- ④ Minimum bore is the smallest bore to which the collet will be bored. Standard collets (see **page 27**). Refer to the Factory for non-standard collets.
- ⑤ To use these maximum bores, a customer-furnished rectangular key must replace the standard square key that was supplied with the shaft. **NOTE:** Check key stresses.
- ⑥ Equivalent mass moment values shown apply only to the fluid coupling (without bore), adapter and sheave. Refer to **page 29**, Engineering Data, for fluid WR² multipliers for other than maximum fill.

HF41 Sheave/Hollow Shaft Mount

Classical Sheaves (A, B, C) Dimensions (in)

| Cplg Size ① | K | L ② | Pitch Diameter | Grooves | Classical Sheaves | Sheave Adapter (QD) ③ | | |
|-------------|-------|----------|----------------|-----------|-------------------|-----------------------|-----|----|
| 185HF | 1.38 | 0.16 | 4.2-9.0 | 2 | A | SDS | | |
| | 1.38 | 0.29 | 10.6,12.0 | 2 | A | | | |
| | 0.88 | -0.15 | 4.2-6.4 | 1 | B ④ | | | |
| | 1.00 | 0.16 | 6.6-13.2 | 1 | B ④ | | | |
| | 1.75 | 0.35 | 4.2-6.4 | 2 | B ④ | | | |
| | 0.88 | -0.15 | 4.6-6.8 | 1 | B | | | |
| | 1.00 | 0.16 | 7.0-13.6 | 1 | B | | | |
| | 1.75 | 0.35 | 4.6-6.8 | 2 | B | | | |
| 235HF | 1.38 | -0.06 | 15.0,18.0 | 2 | A | SK | | |
| | 2.00 | 0.13 | 7.0-9.0 | 3 | A | | | |
| | 2.00 | 0.26 | 10.6-18.0 | 3 | A | | | |
| | 1.00 | -0.30 | 15.0-19.6 | 1 | B ④ | | | |
| | 1.75 | 0.13 | 6.6-18.0 | 2 | B ④ | | | |
| | 2.50 | 0.63 | 6.6-18.0 | 3 | B ④ | | | |
| | 3.25 | 1.07 | 6.6-13.2 | 4 | B ④ | | | |
| | 4.00 | 1.51 | 6.2, 6.4 | 5 | B ④ | | | |
| | 4.75 | 2.26 | 6.2, 6.4 | 6 | B ④ | | | |
| | 1.00 | -0.30 | 15.4-20.0 | 1 | B | | | |
| | 1.75 | 0.13 | 7.0-18.4 | 2 | B | | | |
| | 2.50 | 0.63 | 7.0-18.4 | 3 | B | | | |
| | 3.25 | 1.07 | 7.0-13.6 | 4 | B | | | |
| | 4.00 | 1.51 | 6.6, 6.8 | 5 | B | | | |
| | 4.75 | 2.26 | 6.6, 6.8 | 6 | B | | | |
| | 270HF | 1.75 | 0.22 | 19.6-37.6 | 2 | | B ④ | SF |
| 2.50 | | 0.72 | 19.6-29.6 | 3 | B ④ | | | |
| 3.25 | | 1.09 | 15.0-19.6 | 4 | B ④ | | | |
| 4.00 | | 1.53 | 7.0-18.0 | 5 | B ④ | | | |
| 4.75 | | 1.90 | 7.0-18.0 | 6 | B ④ | | | |
| 5.50 | | 2.53 | 7.0 | 7 | B ④ | | | |
| 6.25 | | 3.28 | 7.0 | 8 | B ④ | | | |
| 1.75 | | 0.22 | 20.0-38.0 | 2 | B | | | |
| 2.50 | | 0.72 | 20.0-30.0 | 3 | B | | | |
| 3.25 | | 1.09 | 15.4-20.0 | 4 | B | | | |
| 4.00 | | 1.53 | 7.4-18.4 | 5 | B | | | |
| 4.75 | | 1.90 | 7.4-18.4 | 6 | B | | | |
| 5.50 | | 2.53 | 7.4 | 7 | B | | | |
| 6.25 | | 3.28 | 7.4 | 8 | B | | | |
| 1.38 | | 0.09 | 7.0-24.0 | 1 | C | | | |
| 2.38 | | 0.40 | 7.0-11.0 | 2 | C | | | |
| 320HF | | 2.50 | 0.34 | 37.6 | 3 | B ④ | E | |
| | | 3.25 | 0.71 | 24.6-37.6 | 4 | B ④ | | |
| | | 4.00 | 1.21 | 19.6-37.6 | 5 | B ④ | | |
| | | 4.75 | 1.84 | 19.6-37.6 | 6 | B ④ | | |
| | 5.50 | 1.96 | 8.2-15.6 | 7 | B ④ | | | |
| | 6.25 | 2.34 | 8.2-15.6 | 8 | B ④ | | | |
| | 2.50 | 0.34 | 38.0 | 3 | B | | | |
| | 3.25 | 0.71 | 25.0-38.0 | 4 | B | | | |
| | 4.00 | 1.21 | 20.0-38.0 | 5 | B | | | |
| | 4.75 | 1.84 | 20.0-38.0 | 6 | B | | | |
| | 5.50 | 1.96 | 8.6-16.0 | 7 | B | | | |
| | 6.25 | 2.34 | 8.6-16.0 | 8 | B | | | |
| | 3.38 | 0.08 | 8.5-18.0 | 3 | C | | | |
| | 3.38 | 0.84 | 20.0, 24.0 | 3 | C | | | |
| | 4.38 | 0.84 | 8.5-18.0 | 4 | C | | | |
| | 4.38 | 1.34 | 20.0 | 4 | C | | | |
| 5.38 | 1.46 | 8.5-18.0 | 5 | C | | | | |
| 6.38 | 2.46 | 8.5 | 6 | C | | | | |
| 370HF | 2.50 | 0.34 | 37.6 | 3 | B ④ | E | | |
| | 3.25 | 0.71 | 24.6-37.6 | 4 | B ④ | | | |
| | 4.00 | 1.21 | 19.6-37.6 | 5 | B ④ | | | |
| | 4.75 | 1.84 | 19.6-37.6 | 6 | B ④ | | | |
| | 5.50 | 1.96 | 8.2-15.6 | 7 | B ④ | | | |
| | 6.25 | 2.34 | 9.0-15.6 | 8 | B ④ | | | |
| | 2.50 | 0.34 | 38.0 | 3 | B | | | |
| | 3.25 | 0.71 | 25.0-38.0 | 4 | B | | | |
| | 4.00 | 1.21 | 20.0-38.0 | 5 | B | | | |
| | 4.75 | 1.84 | 20.0-38.0 | 6 | B | | | |
| | 5.50 | 1.96 | 8.6-16.0 | 7 | B | | | |
| | 6.25 | 2.34 | 9.4-16.0 | 8 | B | | | |
| | 3.38 | 0.08 | 9.0-18.0 | 3 | C | | | |
| | 3.38 | 0.84 | 20.0, 24.0 | 3 | C | | | |
| | 4.38 | 0.84 | 9.0-18.0 | 4 | C | | | |
| | 4.38 | 1.34 | 20.0 | 4 | C | | | |
| 5.38 | 1.46 | 9.2-18.0 | 5 | C | | | | |

Narrow Sheaves (3V, 5V) Dimensions (in)

| Cplg Size ① | K | L ② | Outside Diameter | Grooves | Narrow Sheaves | Sheave Adapter (QD) ③ |
|-------------|-------|----------|------------------|---------|----------------|-----------------------|
| 185HF | 0.69 | -0.02 | 8.0 | 1 | 3V | SDR |
| | 0.75 | 0.04 | 10.6 | 1 | 3V | |
| | 1.09 | 0.07 | 6.5-8.0 | 2 | 3V | |
| | 1.50 | 0.01 | 4.5-6.9 | 3 | 3V | |
| | 1.91 | 0.38 | 5.6 | 4 | 3V | |
| 235HF | .81 | -0.37 | 14.0, 19.0 | 1 | 3V | SK |
| | 1.09 | -0.34 | 10.6-19.0 | 2 | 3V | |
| | 1.50 | 0.07 | 8.0-14.0 | 3 | 3V | |
| | 1.91 | 0.01 | 6.0-14.0 | 4 | 3V | |
| | 2.31 | 0.19 | 5.3-10.6 | 5 | 3V | |
| | 2.72 | 0.23 | 6.9 | 6 | 3V | |
| | 2.72 | 0.66 | 8.0 | 6 | 3V | |
| | 3.53 | 1.04 | 6.9 | 8 | 3V | |
| | 4.34 | 1.73 | 6.9 | 10 | 3V | |
| | 1.69 | 0.07 | 7.1-11.8 | 2 | 5V | |
| 270HF | 1.09 | -0.32 | 25.0 | 2 | 3V | SF |
| | 1.50 | 0.09 | 19.0-33.5 | 3 | 3V | |
| | 1.91 | 0.12 | 19.0, 25.0 | 4 | 3V | |
| | 2.31 | 0.28 | 14.0, 19.0 | 5 | 3V | |
| | 2.72 | 0.68 | 10.6, 14.0 | 6 | 3V | |
| | 3.53 | 1.25 | 8.0, 10.6 | 8 | 3V | |
| | 4.34 | 1.68 | 8.0 | 10 | 3V | |
| | 1.69 | 0.09 | 12.5-21.2 | 2 | 5V | |
| | 2.38 | 0.22 | 7.1-11.8 | 3 | 5V | |
| | 320HF | 1.91 | -0.13 | 33.5 | 4 | |
| 2.31 | | 0.15 | 25.0, 33.5 | 5 | 3V | |
| 2.72 | | 0.18 | 19.0-33.5 | 6 | 3V | |
| 3.53 | | 0.74 | 14.0-25.0 | 8 | 3V | |
| 4.34 | | 1.55 | 10.6-19.0 | 10 | 3V | |
| 1.69 | | -0.06 | 23.6 | 2 | 5V | |
| 2.38 | | 0.08 | 12.5-28.0 | 3 | 5V | |
| 3.06 | | 0.08 | 8.0-16.0 | 4 | 5V | |
| 3.06 | | 0.27 | 18.7, 21.2 | 4 | 5V | |
| 3.75 | | 0.46 | 8.5-16.0 | 5 | 5V | |
| 4.44 | 0.90 | 8.5-11.8 | 6 | 5V | | |
| 5.81 | 1.77 | 9.0 | 8 | 5V | | |
| 370HF | 1.91 | -0.13 | 33.5 | 4 | 3V | E |
| | 2.31 | 0.15 | 25.0, 33.5 | 5 | 3V | |
| | 2.72 | 0.18 | 19.0-33.5 | 6 | 3V | |
| | 3.53 | 0.74 | 14.0-25.0 | 8 | 3V | |
| | 4.34 | 1.55 | 10.6-19.0 | 10 | 3V | |
| | 1.69 | -0.06 | 23.6 | 2 | 5V | |
| | 2.38 | 0.08 | 12.5-28.0 | 3 | 5V | |
| | 3.06 | 0.08 | 8.0-16.0 | 4 | 5V | |
| | 3.06 | 0.27 | 18.7, 21.2 | 4 | 5V | |
| | 3.75 | 0.46 | 9.0-16.0 | 5 | 5V | |
| 4.44 | 0.90 | 9.0-11.8 | 6 | 5V | | |

Standard Collets Dimensions (in) (Refer to Factory for Special Collets)

| Coupling Size | Collet Part Number | Motor Shaft | SE (Max) |
|---------------|--------------------|-------------|----------|
| 185HF | 346150 | 0.875 | 2.12 |
| | 346151 | 1.125 ⑤ | 2.88 |
| 235HF | 346153 | 1.125 | 2.88 |
| | 346154 | 1.375 ⑤ | 3.66 |
| 270HF | 346155 | 1.125 | 2.88 |
| | 346156 | 1.375 | 3.66 |
| | 346157 | 1.625 | 4.88 |
| | 346158 | 1.875 ⑤ | 4.88 |
| 320HF | 346159 | 1.375 | 3.66 |
| | 346160 | 1.625 | 4.88 |
| | 346161 | 1.875 | 4.88 |
| | 346162 | 2.125 ⑤ | 5.64 |
| 370HF | 346163 | 1.625 | 4.88 |
| | 346164 | 1.875 | 4.88 |
| | 346165 | 2.125 | 5.64 |
| | 346166 | 2.375 ⑤ | 6.40 |

① ② ③ See page 26 for these footnotes.

④ Size A belt in Type B sheave.

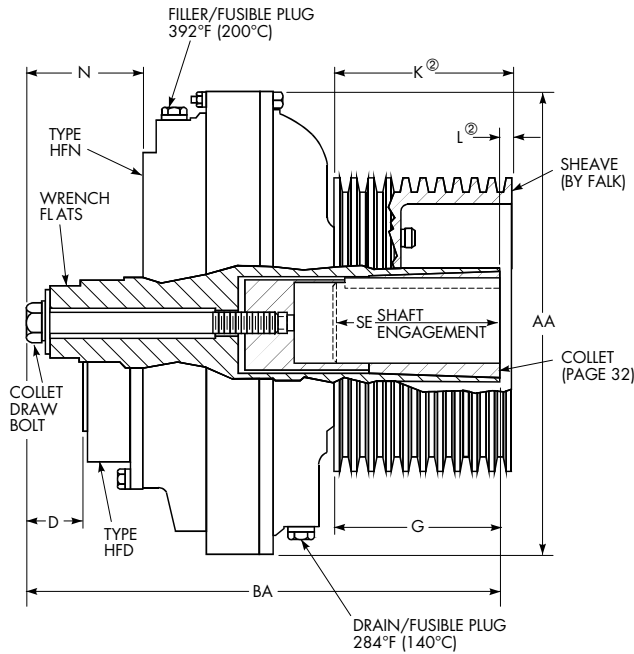
⑤ Maximum bore collet requires that standard square shaft key be replaced with customer-furnished rectangular key. Service Manual 528-410, Table 2, provides rectangular key sizes. **NOTE:** Check key stresses.

HF41 Sheave/Hollow Shaft Mount

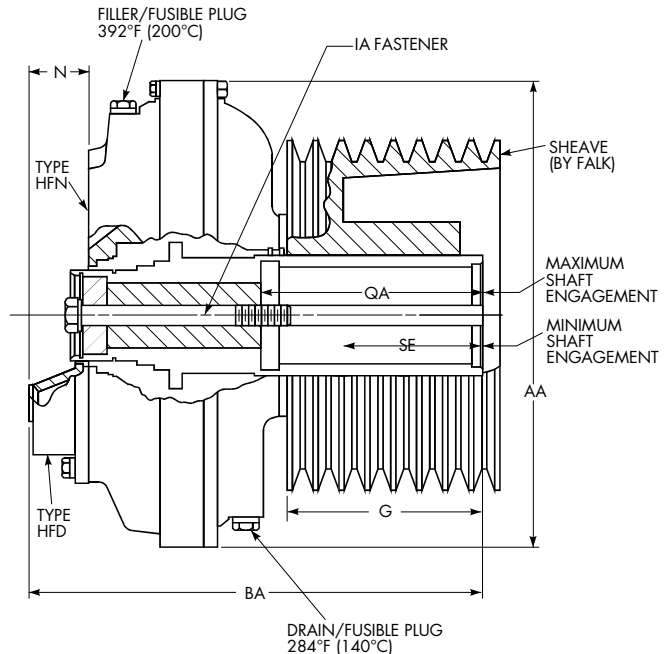
Hollow shaft input, sheave output, for horizontal mounting. For all sizes below, a specially manufactured sheave is supplied by the Factory. Size 1420HF is secured to the motor shaft by a collet/collet draw bolt. Sizes 1480HF & 1584HF are secured to the motor shaft by an axial retention fastener, the hollow shaft is bored to the order and includes modified transitional fit, no setscrew, motor shaft end must be drilled and tapped for retention fastener, and coupling includes Factory-furnished spacer (spacer to length by the Factory, based on actual shaft engagement dimension provided by customer).

Availability by Coupling Size & Type

| Type | Description | 1420 | 1480 | 1584 |
|-------|----------------|------|------|------|
| HFN41 | Non Delay Fill | X | X | X |
| HFD41 | Delay Fill | X | X | X |



Size 1420



Size 1480 & 1584

Pre-designed Sheaves for Size 1420HF41

| Part Number | Description |
|-------------|------------------------|
| 0428352 | 9.75" OD, 5V-5 groove |
| 0428231 | 9.75" OD, 5V-8 groove |
| 0428353 | 11.8" OD, 5V-5 groove |
| 0428162 | 11.8" OD, 5V-10 groove |

Dimensions (in)

| Cplg Size ① | Cplg Weight No Bore & w/o Sheave, Fluid (lb) | | Allowable Speed RPM | D | G | N | AA | BA | IA Fastener Size | QA (Max Shaft Engagement) | SE ^③ (Min) |
|----------------|--|-----|---------------------|---|------|------|-------|-------|------------------|---------------------------|-----------------------|
| | HFN | HFD | | | | | | | | | |
| 1420HF | — | 168 | 1800 | — | 6.74 | 4.71 | 18.70 | 19.25 | — | — | 4.38 ^② |
| 1480HF | 159 | 172 | 1800 | — | 8.07 | 2.99 | 21.65 | 19.80 | 7/8-9 UNC | 8.25 | 5.62 |
| 1584HF | 276 | 295 | 1800 | — | 8.07 | 2.91 | 26.38 | 21.30 | 1-8 UNC | 10.00 | 6.25 |

| Cplg Size | Min Bore | Max Bore | | WR ² (lb-in ²) ^⑥ | | | | | |
|-----------|--------------------|------------|------------------------------|--|--------|------------------|----------|--------|------------------|
| | | Square Key | Rectangular Key ^⑤ | Type HFN | | | Type HFD | | |
| | | | | Input | Output | Fluid @ Max Fill | Input | Output | Fluid @ Max Fill |
| 1420HF | 1.875 ^④ | 3.000 | 3.375 | 663 | 2,460 | 820 | 663 | 2,529 | 990 |
| 1480HF | 2.062 | 3.750 | 4.125 | 1,230 | 4,440 | 1,504 | 1,230 | 4,615 | 1,980 |
| 1584HF | 2.250 | 4.000 | 4.375 | 2,840 | 9,910 | 3,844 | 2,840 | 10,080 | 4,955 |

① Fluid couplings are offered for horizontal mounting as shown. Refer to the Factory for other mounting arrangements. Dimensions are for reference only, and are subject to change without notice unless certified.

② Size 1420HF, see **page 29** for dimensions K, L, and SE (Max).

③ The preferred engagement between the driving shaft and the hollow bore is twice the diameter of the driving shaft.

④ Minimum bore is the smallest bore to which the collet will be bored. Standard collets (see **page 29**). Refer to the Factory for non-standard collets.

⑤ To use these maximum bores, a customer-furnished rectangular key must replace the standard square key that was supplied with the shaft. **NOTE:** Check key stresses.

⑥ Equivalent mass moment values shown apply only to the fluid coupling (without bore) and sheave. Refer to **page 29**, Engineering Data, for fluid WR² multipliers for other than maximum fill.

HF41 Sheave/Hollow Shaft Mount

HF41 Sheave & Collet Data (Sizes 1420 thru 1584HF)

Classical Sheaves (B, C, D) Dimensions (in)

| Cplg Size ① | Pitch Diameter | Grooves | Classical Sheaves |
|-------------|----------------|---------|-------------------|
| 1480HF | 11.0 - 15.4 | 10 | B |
| | 9.8 - 10.2 | 6 | C |
| | 11.0 - 14.0 | 8 | C |
| | 12.0 - 15.5 | 5 | D |
| 1584HF | 11.0 & 12.4 | 6 | B |
| | 12.4 - 16.0 | 8 | B |
| | 9.8 - 13.0 | 4 | C |
| | 13.0 - 16.0 | 5 | C |
| | 12.0 & 13.0 | 3 | D |
| | 13.0 - 17.0 | 4 | D |

Narrow Sheaves (3V, 5V, 8V) Dimensions (in)

| Cplg Size ① | K | L ② | Outside Diameter | Grooves | Narrow Sheaves |
|-------------|------|-------|------------------|---------|----------------|
| 1420HF | 3.75 | -2.99 | 9.75 & 11.8 | 5 | 5V |
| | 5.81 | -0.93 | 9.75 | 8 | 5V |
| | 7.19 | 0.45 | 11.8 | 10 | 5V |
| 1480HF | — | — | 8.0 & 10.6 | 15 | 3V |
| | — | — | 10.6 & 14.0 | 19 | 3V |
| | — | — | 8.0 - 10.3 | 8 | 5V |
| | — | — | 10.9 - 16.0 | 10 | 5V |
| | — | — | 12.5 - 16.0 | 6 | 8V |
| 1584HF | — | — | 9.75 - 14.0 | 8 | 5V |
| | — | — | 13.2 - 16.0 | 10 | 5V |
| | — | — | 12.5 - 14.0 | 6 | 8V |
| | — | — | 13.2 - 18.0 | 8 | 8V |

Standard Collets ③ Dimensions (in) (Refer to Factory for Special Collets)

| Cplg Size | Collet Part Number | Motor Shaft | SE (Max) |
|-----------|--------------------|-------------|----------|
| 1420HF | 346167 | 1.875 | 4.88 |
| | 346168 | 2.125 | 5.64 |
| | 346169 | 2.375 | 6.40 |
| | 346170 | 2.875 | 8.00 |
| | 346329 | 3.375 ④ | 8.44 |

① Dimensions are for reference only, and are subject to change without notice unless certified.

② Size 1420 Dimension L, negative value represents dimension to the left of collet face.

③ Sizes 1480HF & 1584HF do not utilize a collet.

④ Maximum bore collet requires that standard square shaft key be replaced with customer-furnished rectangular key. Service Manual 528-410, Table 2, provides rectangular key sizes.

NOTE: Check key stresses.

Engineering Data

Shaft Diameters and Ratings for NEMA 60 Hertz Motors — T Frames

| Frame Size | 143 | 145 | 182 | 184 | 213 | 215 | 254 | 256 | 284 | 286 | 324 | 326 | 364 | 365 | 404 | 405 | 444 | 445 |
|----------------|-------------------|-----------|-------|-------|-------|-------|-------|-------|-------|-------|-------|-------|-------|-------|-------|-------|-------|-------|
| Shaft Dia (in) | 0.875 | 0.875 | 1.125 | 1.125 | 1.375 | 1.375 | 1.625 | 1.625 | 1.875 | 1.875 | 2.125 | 2.125 | 2.375 | 2.375 | 2.875 | 2.875 | 3.375 | 3.375 |
| HP @ 1800 RPM | Drip Proof 1 | 1-1/2 - 2 | 3 | 5 | 7-1/2 | 10 | 15 | 20 | 25 | 30 | 40 | 50 | 60 | 75 | 100 | 125 | 150 | 200 |
| | TEFC 1 | 1-1/2 - 2 | 3 | 5 | 7-1/2 | 10 | 15 | 20 | 25 | 30 | 40 | 50 | 60 | 75 | — | 100 | 125 | 150 |
| HP @ 1200 RPM | Drip Proof 3/4 | 1 | 1-1/2 | 2 | 3 | 5 | 7-1/2 | 10 | 15 | 20 | 25 | 30 | 40 | 50 | 60 | 75 | 100 | 125 |
| | TEFC 3/4 | 1 | 1-1/2 | 2 | 3 | 5 | 7-1/2 | 10 | 15 | 20 | 25 | 30 | 40 | 50 | 60 | 75 | 100 | 125 |
| HP @ 900 RPM | Drip Proof 1/2 | 3/4 | 1 | 1 1/2 | 2 | 3 | 5 | 7 1/2 | 10 | 15 | 20 | 25 | 30 | 40 | 50 | 60 | 75 | 100 |
| | TEFC 1/2 | 3/4 | 1 | 1 1/2 | 2 | 3 | 5 | 7 1/2 | 10 | 15 | 20 | 25 | 30 | 40 | 50 | 60 | 75 | 100 |

Shaft Diameters and Ratings for NEMA 60 Hertz Motors — TS Frames

| Frame Size | 284 | 286 | 324 | 326 | 364 | 365 | 404 | 405 | 444 | 445 |
|----------------|------------------|-------|-------|-------|-------|-------|-------|-------|-------|-------|
| Shaft Dia (in) | 1.625 | 1.625 | 1.875 | 1.875 | 1.875 | 1.875 | 2.125 | 2.125 | 2.375 | 2.375 |
| HP @ 1800 RPM | Drip Proof 25 | 30 | 40 | 50 | 60 | 75 | 100 | 125 | 150 | 200 |
| | TEFC 25 | 30 | 40 | 50 | 60 | 75 | — | 100 | 125 | 150 |
| HP @ 1200 RPM | Drip Proof 15 | 20 | 25 | 30 | 40 | 50 | 60 | 75 | 100 | 125 |
| | TEFC 15 | 20 | 25 | 30 | 40 | 50 | 60 | 75 | 100 | 125 |
| HP @ 900 RPM | Drip Proof 10 | 15 | 20 | 25 | 30 | 40 | 50 | 60 | 75 | 100 |
| | TEFC 10 | 15 | 20 | 25 | 30 | 40 | 50 | 60 | 75 | 100 |

Fluid WR² Multiplier for Other Than Maximum Fill

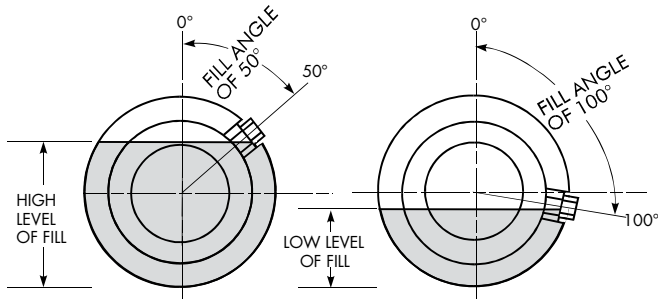
| Fill Angle° | 55 | 60 | 65 | 70 | 75 | 80 | 85 | 90 | 95 | 100 |
|-------------|------|------|------|------|------|------|------|------|------|------|
| HFN | 0.98 | 0.94 | 0.90 | 0.86 | 0.81 | 0.78 | 0.74 | 0.69 | 0.63 | 0.59 |
| HFD | 0.98 | 0.94 | 0.93 | 0.88 | 0.84 | 0.80 | 0.77 | 0.71 | 0.66 | 0.62 |
| HFDD ① | — | — | 0.98 | 0.95 | 0.94 | 0.90 | 0.86 | 0.82 | 0.79 | 0.74 |

① Maximum fluid fill for Type HFDD is 60°.

Recommended Keys for Bores with One Key — Dimensions (in)

| Shaft Diameters | | Key | Shaft Diameters | | Key |
|-----------------|-------|---------------|-----------------|-------|---------------|
| Over | Thru | | Over | Thru | |
| 0.437 | 0.562 | 0.125 x 0.125 | 2.750 | 3.250 | 0.750 x 0.750 |
| 0.562 | 0.875 | 0.187 x 0.187 | 3.250 | 3.750 | 0.875 x 0.875 |
| 0.875 | 1.250 | 0.250 x 0.250 | 3.750 | 4.500 | 1.000 x 1.000 |
| 1.250 | 1.375 | 0.312 x 0.312 | 4.500 | 5.500 | 1.250 x 1.250 |
| 1.375 | 1.750 | 0.375 x 0.375 | 5.500 | 6.500 | 1.500 x 1.500 |
| 1.750 | 2.250 | 0.500 x 0.500 | 6.500 | 7.500 | 1.750 x 1.500 |
| 2.250 | 2.750 | 0.625 x 0.625 | 7.500 | 9.000 | 2.000 x 1.500 |

Fluid Fill Angle



Fluid couplings are shipped without fluid. Fluid is added during installation. The installer adds fluid, obtained locally, and that meets “Recommended Fluids” specifications listed on this page.

When application data (horsepower, rpm, start factor) is provided, the fluid coupling will include an orange sticker with fill angle (degrees), and approximate fill quantity (fluid ounces). If no orange sticker is present, a fill angle may be obtained from the Quick Selection tables in this catalog (pages 14-19). Using fill angle as a starting point, approximate fill quantity (fluid ounces) may be obtained from the table below.

Fluid couplings include an angle finder (P/N 1224653) and installation instructions. Remove the fill plug, place the angle finder on the flat boss at the fill plug location, and rotate the coupling to the specified fill angle (degrees from vertical). With the coupling in this position, add fluid until it reaches the lip of the fill hole.

As shown above, a low fill angle (example is 50°) corresponds to a high level of fill. A high fill angle (example is 100°) corresponds to a low level of fill. The level of fill in the coupling determines the start factor, percent slip, starting torque, stall torque, ... essentially all performance characteristics of the coupling.

After installation and operation, fine-tuning of the fill level may be necessary, based on load readings or other site variables. In general, increasing the fill level (decreasing the fill angle) increases start factor/start torque/stall torque, shortens time required to accelerate the load to operating speed, and reduces percent slip. Reducing the fill level (increasing the fill angle) decreases start factor/start torque/stall torque, increases time required to accelerate the load to operating speed, and increases percent slip.

Convert Fluid Ounces to Weight (lb)

There are 128 Fluid Ounces per Gallon

Weight (lb) = Fluid oz x 0.0648 x specific gravity of the fluid

Example:

Size 1480HFN @ 70 degree fill angle (See table below)

Weight = 413 fluid oz x 0.0648 x 0.87 = 23.3 lb of fluid

Approximate Fill Quantity (Fluid Ounces)

| Fill Angle (Degrees) from Vertical | Types HFN & HFR | | | | | | | | | | Type HFD | | | | | Type HFDD | | | | | |
|------------------------------------|-----------------|-----|-----|-----|-----|------|------|------|------|------|---------------|------|------|------|------|-----------|------|------|------|------|------|
| | | | | | | | | | | | Coupling Size | | | | | | | | | | |
| | 185 | 235 | 270 | 320 | 370 | 1420 | 1480 | 1584 | 1660 | 2760 | 370 | 1420 | 1480 | 1584 | 1660 | 2760 | 1420 | 1480 | 1584 | 1660 | 2760 |
| 50 | 34 | 65 | 88 | 142 | 239 | 352 | 524 | 862 | 1555 | 2147 | 303 | 440 | 710 | 1136 | 1833 | 2645 | N/A | N/A | N/A | N/A | N/A |
| 55 | 33 | 63 | 83 | 136 | 233 | 331 | 497 | 835 | 1481 | 2012 | 292 | 426 | 663 | 1096 | 1762 | 2492 | N/A | N/A | N/A | N/A | N/A |
| 60 | 31 | 60 | 78 | 128 | 221 | 311 | 473 | 801 | 1413 | 1894 | 276 | 399 | 629 | 1055 | 1684 | 2360 | 524 | 795 | 1322 | 1924 | 2705 |
| 65 | 30 | 57 | 73 | 120 | 207 | 291 | 443 | 754 | 1319 | 1792 | 257 | 382 | 578 | 977 | 1569 | 2164 | 484 | 727 | 1224 | 1789 | 2503 |
| 70 | 28 | 53 | 69 | 113 | 192 | 271 | 413 | 700 | 1234 | 1640 | 237 | 348 | 531 | 910 | 1461 | 1985 | 443 | 663 | 1130 | 1650 | 2300 |
| 75 | 26 | 50 | 65 | 105 | 177 | 247 | 385 | 649 | 1150 | 1539 | 218 | 328 | 497 | 832 | 1359 | 1846 | 406 | 605 | 1045 | 1529 | 2131 |
| 80 | 24 | 47 | 61 | 98 | 162 | 230 | 348 | 592 | 1065 | 1420 | 200 | 298 | 460 | 751 | 1248 | 1701 | 369 | 561 | 964 | 1403 | 1961 |
| 85 | 22 | 43 | 57 | 90 | 149 | 216 | 321 | 544 | 984 | 1336 | 185 | 281 | 419 | 693 | 1150 | 1600 | 342 | 521 | 896 | 1295 | 1809 |
| 90 | 20 | 39 | 52 | 82 | 136 | 196 | 294 | 504 | 910 | 1217 | 172 | 252 | 379 | 639 | 1048 | 1454 | 315 | 480 | 822 | 1184 | 1657 |
| 95 | 18 | 34 | 47 | 75 | 124 | 172 | 267 | 456 | 825 | 1099 | 159 | 227 | 335 | 585 | 893 | 1322 | 294 | 443 | 754 | 1048 | 1505 |
| 100 | 16 | 30 | 44 | 72 | 115 | 156 | 247 | 423 | 754 | 1015 | 142 | 203 | 291 | 528 | 876 | 1177 | 271 | 402 | 687 | 947 | 1353 |
| 105 | - | - | - | - | - | - | - | - | - | - | 125 | 179 | 245 | 485 | 783 | 1015 | 247 | 365 | 622 | 859 | 1228 |

Recommended Fluids ^①

ISO Viscosity Grade, Petroleum Oils (R & O) 46

ISO Viscosity Grade, Synthetic Oils 32

Viscosity at 104°F(40°C) — 46 cSt (215 SSU)

Viscosity Index — Equal to or greater than 95.

Pour Point — Must be 5°F (3°C) lower than minimum starting temperature.

Flash Point — 400°F (204°C) when using 140°C and/or 180°C fusible plugs.

Flash Point — 425°F (218°C) when using 200°C fusible plugs at both fill and drain holes.

Specific Gravity — 0.87

Antioxidant and Anti-foaming Additives

| Petroleum Oils (R & O) For Ambient Temperatures 20°F to 125°F (-6°C to 52°C) | |
|---|----------------------------|
| Manufacturer | Fluid |
| Amoco Oil Company | American Industrial Oil 46 |
| BP Oil Company | HL-C46 |
| Chevron Products Company | Hydraulic Oil AW 46 |
| Exxon Company, USA | Teresstic 46 |
| Mobil Oil Corporation | Mobil Fluid 424 |
| Petro-Canada Products | Harmony 46 |
| Shell Oil Company | Turbo T 46 |
| Texaco Lubricants Company | Rando Oil HD 46 |
| 76 Lubricants Company | 76 Unax AW 46 |
| Petroleum Oils (R & O) For Ambient Temperatures -20°F to 125°F (-28°C to 52°C) | |
| Manufacturer | Fluid |
| Amoco Oil Company | American Industrial Oil 46 |
| Mobil Oil Corporation | Mobilfluid 424 |
| Synthetic Oils and Synthetic Transmission Fluids For Ambient Temperatures -40°F to 125°F (-40°C to 52°C) | |
| Manufacturer | Fluid |
| Conoco Incorporated | Syncon R&O 32 |
| Exxon Company, USA | Teresstic SHP 32 |
| Mobil Oil Corporation | SHC 624 |
| Texaco Lubricants Company | Pinnacle 32 |
| Mobil Oil Corporation | Synthetic ATF |
| Chevron | Synthetic All Weather THF |
| Citgo | Transgard Fluid 250 |
| Automatic Transmission Fluids (Dexron or Mercon Oils, etc.) For Ambient Temperatures -40°F to 125°F (-40°C to 52°C) NOTICE: Automatic Transmission Fluids below can only be used with two 140°C fusible plugs | |
| Mobil | Multi-purpose ATF |
| Texaco (Havoline) | Mercon/Dexron-III or ATF |
| Citgo | Transgard ATF, Type F |

ATF Type A and Type Dexron II, IID, IIE, III, Mercon M-891205 and M-921253

① Refer to the Factory for use of fire resistant fluids. Recommended fluids are typical products only, and should not be construed as exclusive recommendations.



866-REXNORD/866-739-6673 (Within the US)
414-643-2366 (Outside the US)
www.rexnord.com

Why Choose Rexnord?

When it comes to providing highly engineered products that improve productivity and efficiency for industrial applications worldwide, Rexnord is the most reliable in the industry. Commitment to customer satisfaction and superior value extend across every business function.

Delivering Lowest Total Cost of Ownership

The highest quality products are designed to help prevent equipment downtime and increase productivity and dependable operation.

Valuable Expertise

An extensive product offering is accompanied by global sales specialists, customer service and maintenance support teams, available anytime.

Solutions to Enhance Ease of Doing Business

Commitment to operational excellence ensures the right products at the right place at the right time.

Rexnord Corporation

Rexnord is a growth-oriented, multi-platform industrial company with leading market shares and highly trusted brands that serve a diverse array of global end markets.

Process and Motion Control

The Rexnord Process and Motion Control platform designs, manufactures, markets and services specified, highly engineered mechanical components used within complex systems where our customers' reliability requirements and the cost of failure or downtime are extremely high.

Water Management

The Rexnord Water Management platform designs, procures, manufactures and markets products that provide and enhance water quality, safety, flow control and conservation.

REXNORD

Rex® FALK Link-Belt® mar/bett® MCC BERG highfield Stearns®